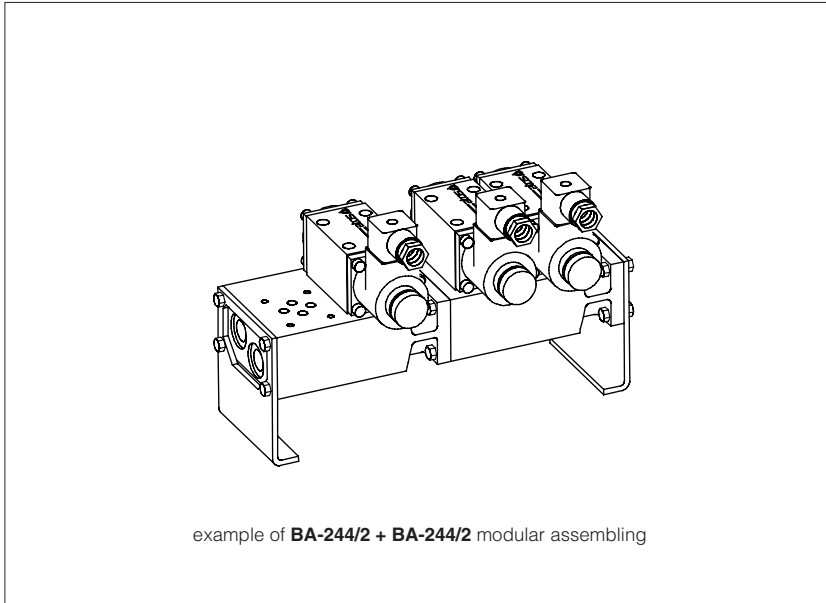


Mounting subplates type **BA-214, 314 and 244**

Multi-station, for valves ISO 4401 size 06 and 10



BA-214, BA-314 and BA-244 are multi-station subplates for assembling of directional and modular valves with mounting surface ISO 4401, size 06 and 10. They are made in cast iron with high corrosion protection black zinc surface treatment, and they are provided with P, T passing through lines and A, B user ports connections.

BA-214 are **multistation subplates** with 1 to 10 stations for valves ISO size 06.

BA-314 are **multistation subplates** with 1 to 6 stations for valves ISO size 10.

BA-244 are **modular subplates** with 1 to 4 stations for valves ISO 4401 size 06.

They are designed for installation on power units cover and they can be easily assembled together by means of n° 4 screws M6 class 12.9 (included in the supply), combining up to max 12 stations.

1 MODEL CODE OF SUBPLATES TYPE BA-214 and BA-314

BA-214	/	5	/P	**
Type of subplate: BA-214 = for valves ISO size 06 BA-314 = for valves ISO size 10		Series number		
Number of stations (see section 4 5 6): 1 = one station 6 = six stations 2 = two stations 7 = seven stations (only for BA-214) 3 = three stations 8 = eight stations (only for BA-214) 4 = four stations 9 = nine stations (only for BA-214) 5 = five stations 10 = ten stations (only for BA-214)		- = with A and B lateral ports /P = with A and B rear ports (not for BA-214/1 and all BA-314)		

Model	Port P	Port T	Ports A, B	Qmax	Qmax ports A, B	Pmax
BA-214	G 1/2"	G 1/2"	G 3/8" lateral	80 l/min	60 l/min	350 bar
BA-214/*/P	G 1/2"	G 1/2"	G 3/8" rear	80 l/min	60 l/min	350 bar
BA-314	G 3/4"	G 1"	G 3/4" lateral	150 l/min	100 l/min	300 bar

2 MODEL CODE OF SUBPLATES TYPE BA-244

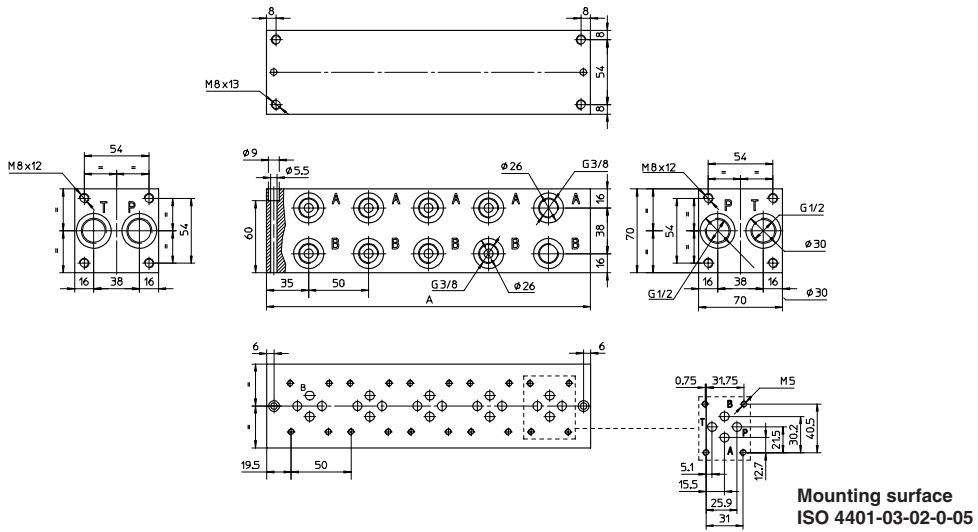
BA-244	/	4	**
Type of subplate: BA-244 = modular subplate for valves ISO size 06		Series number	
Number of stations: 1 = one station 3 = three stations 2 = two stations 4 = four stations			

3 TECHNICAL CHARACTERISTICS

Installation positions	Any position. For BA-244, a maximum of 12 stations can be combined; in case of horizontal mounting proper brackets are recommended.
Operating pressure	Ports P, T, A, B = 350 bar (BA-214), 300 bar (BA-314), 250 bar (BA-244) see the technical table of the valves to be assembled
Ambient temperature	From -20°C to +70°C
Fluid	Hydraulic oil as per DIN 51524...535, for other fluids contact our technical office
Recommended viscosity	15 ÷ 100 mm ² /s - max allowed range: see the technical table of the valves to be assembled
Fluid contamination class	See the technical table of the valves to be assembled
Fluid temperature	See the technical table of the valves to be assembled

4 OVERALL DIMENSIONS OF SUBPLATES TYPE BA-214 [mm]

Ports P and T = G 1/2" (passing through)
 Ports A and B = G 3/8"
 $Q_{max} = 80$ l/min
 Q_{max} A and B ports = 60 l/min
 $P_{max} = 350$ bar



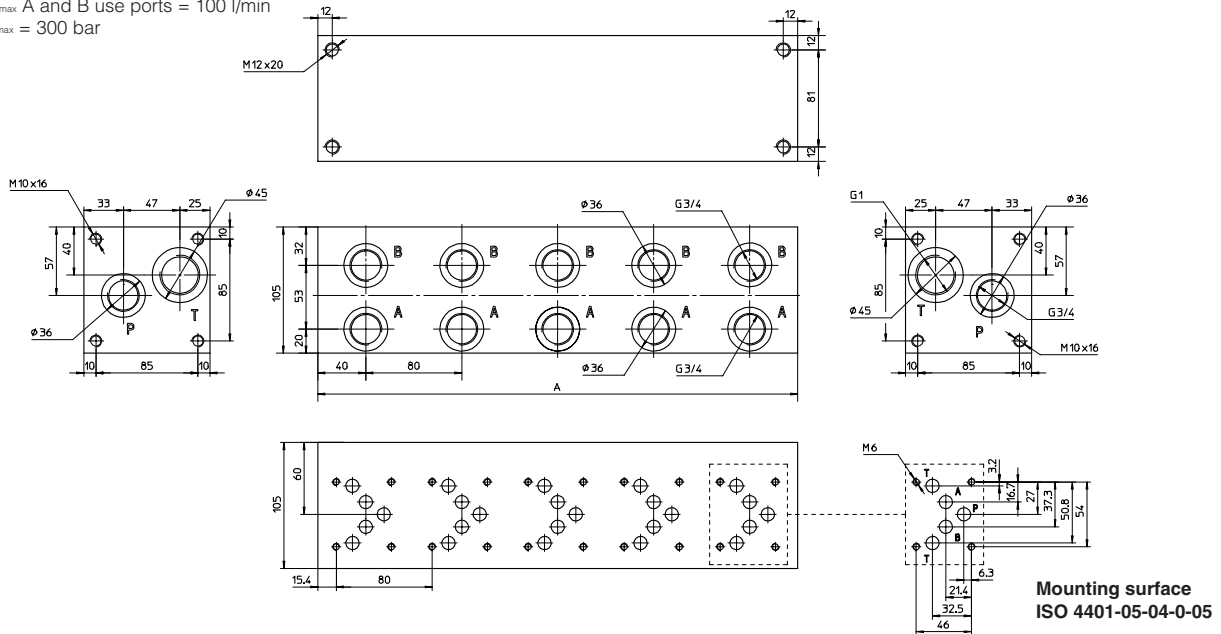
The length of the subplate depends to the number of stations as shown in the table below

Stations	1	2	3	4	5	6	7	8	9	10
Dimension A	70	120	170	220	270	320	370	420	470	520
Mass [Kg]	2	3,5	5	6,5	8	9,5	11	12,5	14	15,5

The 5-station version is shown in the drawing

5 OVERALL DIMENSIONS OF SUBPLATES TYPE BA-314 [mm]

Ports P = G 3/4" (passing through)
 Ports T = G 1" (passing through)
 Ports A and B = G 3/4"
 $Q_{max} = 150$ l/min
 Q_{max} A and B use ports = 100 l/min
 $P_{max} = 300$ bar



The length of the subplate depends to the number of stations as shown in the table below

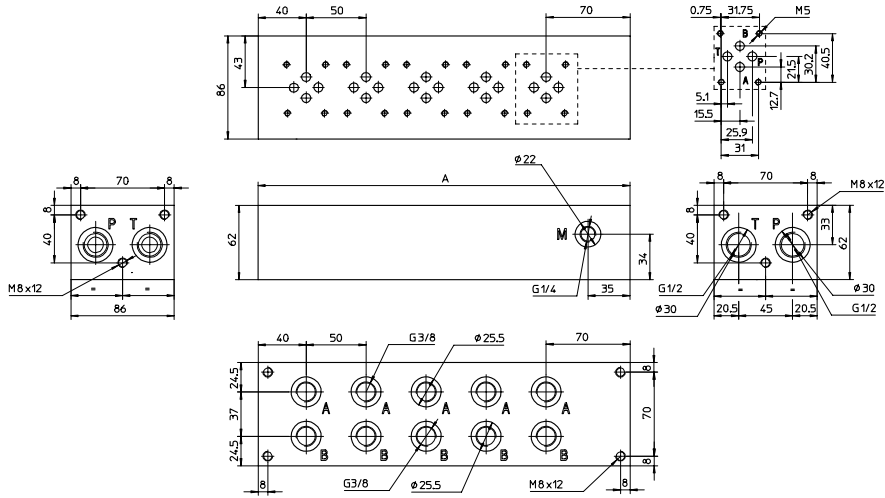
Stations	1	2	3	4	5	6
Dimension A	80	160	240	320	400	480
Mass [Kg]	4	8,5	13	17,5	22	26,5

The 5-station version is shown in the drawing

6 OVERALL DIMENSIONS OF SUBPLATES TYPE BA-214*/P [mm]

Ports P and T = G 1/2"
 Ports A and B = G 3/8"
 $Q_{max} = 80 \text{ l/min}$
 $Q_{max} \text{ A and B ports} = 60 \text{ l/min}$
 $P_{max} = 350 \text{ bar}$

Mounting surface
 ISO 4401-03-02-0-05



The length of the subplate depends to the number of stations as shown in the table below

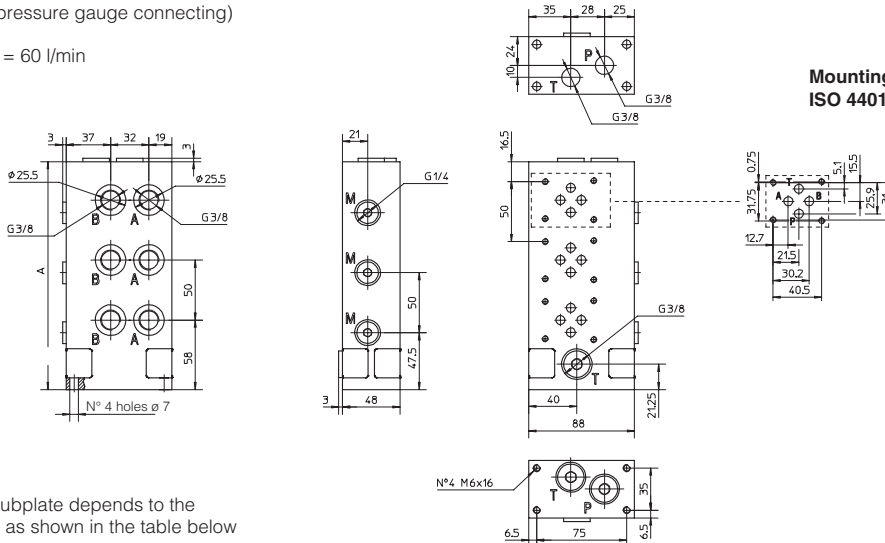
Stations	2	3	4	5	6	7	8	9	10
Dimension A	160	210	260	310	360	410	460	510	560
Mass [Kg]	5,4	7	8,7	10,4	12,1	13,8	15,5	17,2	18,9

The 5-station version is shown in the drawing

7 OVERALL DIMENSIONS OF SUBPLATES TYPE BA-244 [mm]

Ports P and T = G 3/8" (passing through)
 Ports A and B = G 3/8"
 Ports M = G 1/4" (pressure gauge connecting)
 $Q_{max} = 35 \text{ l/min}$
 $Q_{max} \text{ A and B ports} = 60 \text{ l/min}$
 $P_{max} = 250 \text{ bar}$

Mounting surface
 ISO 4401-03-02-0-05



The length of the subplate depends to the number of stations as shown in the table below

Stations	1	2	3	4
Dimension A	90	140	190	240
Mass [Kg]	2,5	3,5	5,2	7

The 3-station version is shown in the drawing

Fastening bolts: 4 exagonal head screws M6x20 class 12.9 included in the supply
 Tightening torque = 15 Nm
 Seals: 2 OR-3081 included in the supply