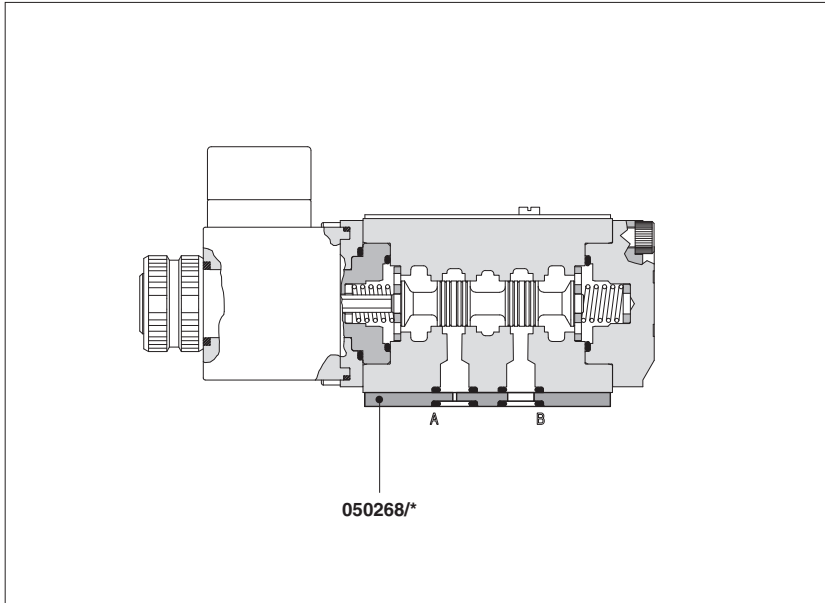


# Modular plates with calibrated holes code **SET-050268**

ISO 4401 size 06



Modular plates with calibrated holes on ports A, B, P, T, for assembling under NG6 valves.

Up to 23 different calibrated holes are available from 0,4 mm to 5,0 mm, with several ports combination according the application requirements.

### Application

To limit the flow to pilot valves or to actuators, instead of using PLUG or other type of restrictors.

The modular plates are supplied with 4 OR-108.

## 1 MODEL CODE

**SET-050268**

**A\*, B\*, P\*, T\***

**/\***

Seals material  
- = NBR  
PE = FKM

**A, B, P, T** = port identification  
\* = hole dimension, see section 2

### EXAMPLE OF MODEL CODE

**SET-050268/A04, B00, T15**

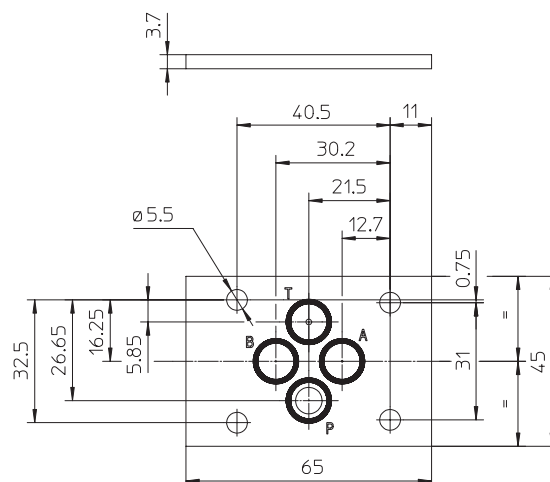
A port with 0,4 mm hole  
B port without hole  
T port with 1,5 mm hole  
P port with standard 7 mm hole

**Note:** in the code omit the port identification if the relevant hole is standard  $\varnothing$  7 mm

Modular plates with calibrated holes, supplied with 4 OR-108

## 2 DIMENSIONS AND AVAILABLE HOLES

Code	$\varnothing$ hole [mm] A, B, P, T
/*04	0.4
/*05	0.5
/*06	0.6
/*07	0.7
/*08	0.8
/*09	0.9
/*10	1
/*12	1.25
/*15	1.5
/*17	1.75
/*20	2
/*22	2.25
/*25	2.5
/*27	2.75
/*30	3
/*32	3.25
/*35	3.5
/*37	3.75
/*40	4
/*42	4.25
/*45	4.5
/*47	4.75
/*50	5



ISO 4401: 2005  
Mounting surface: ISO 4401-03-02-0-05