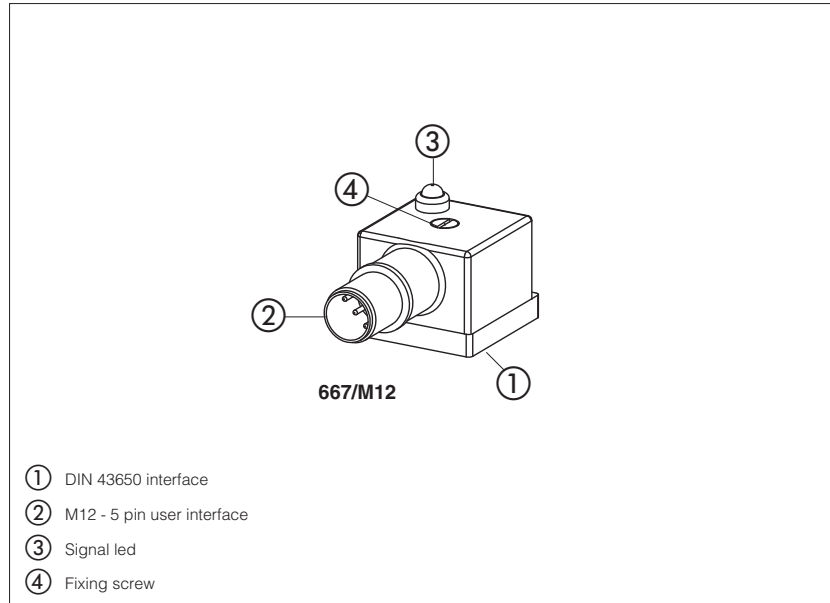


Din electric connectors with M12 interface

DIN 43650 standard coil connection and M12 user interface

Available only on request



Electric connectors with standard DIN 43650 solenoid interface and M12, 5 pin interface to the user side.

The connector includes integral signal led and suppressor diode.

Applications

Connector with M12 interface are particularly used in industrial sectors like machine tools and automotive.

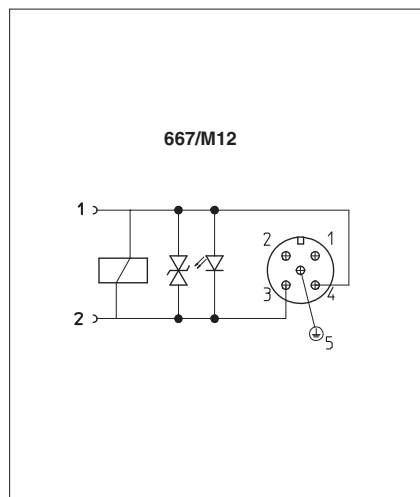
1 MODEL CODE

667	/	M12
Connector with coil electrical interface according to DIN43650 and built in signal led and suppressor diode		5 pin connector for electrical interface to the end user side

2 ELECTRIC CHARACTERISTICS

Connector model		667/M12
Normal voltage	[V]	24 DC
Max current	[A]	4
Protection degree		IP65

3 ELECTRIC CONNECTIONS



4 DIMENSIONS

