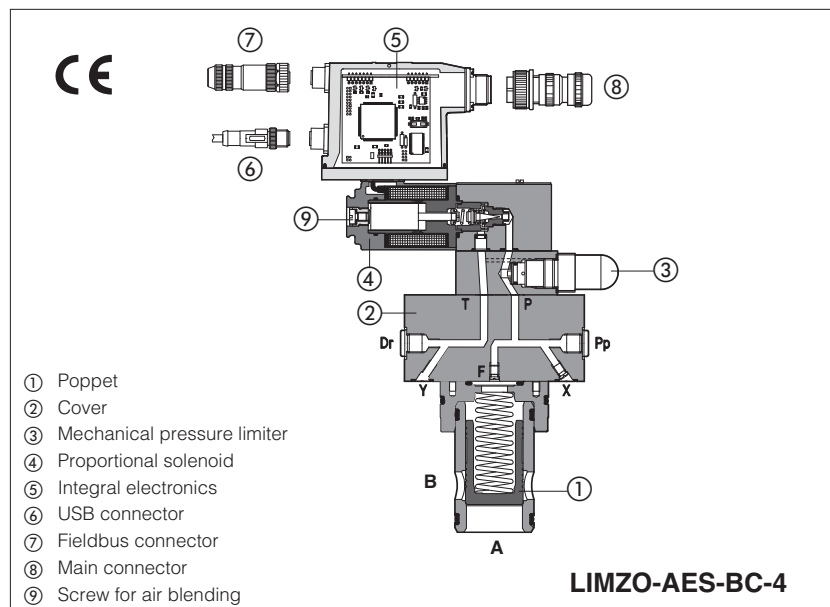


# Proportional pressure control cartridges

digital, open loop - compensator, relief, reducing functions



## LICZO, LIMZO and LIRZO

2-way digital proportional cartridge valves respectively performing: pressure compensator, relief and reducing open loop functions.

Executions:

- **A** without integral driver, to be coupled with separated driver, see section 3
- **AEB** with basic integral digital electronic driver, analog reference signals and USB port for software functional parameters setting
- **AES** with full integral digital electronic driver and fieldbus interface for functional parameters setting, reference signals and real-time diagnostics

The integral digital electronic driver performs the valve's hydraulic regulation according to the reference signal and assures valve-to-valve interchangeability thanks to the factory presetting

Size: **16 to 80**  
Max flow: up to **4500 l/min**  
Max pressure: **350 bar**

### 1 MODEL CODE FOR COVERS

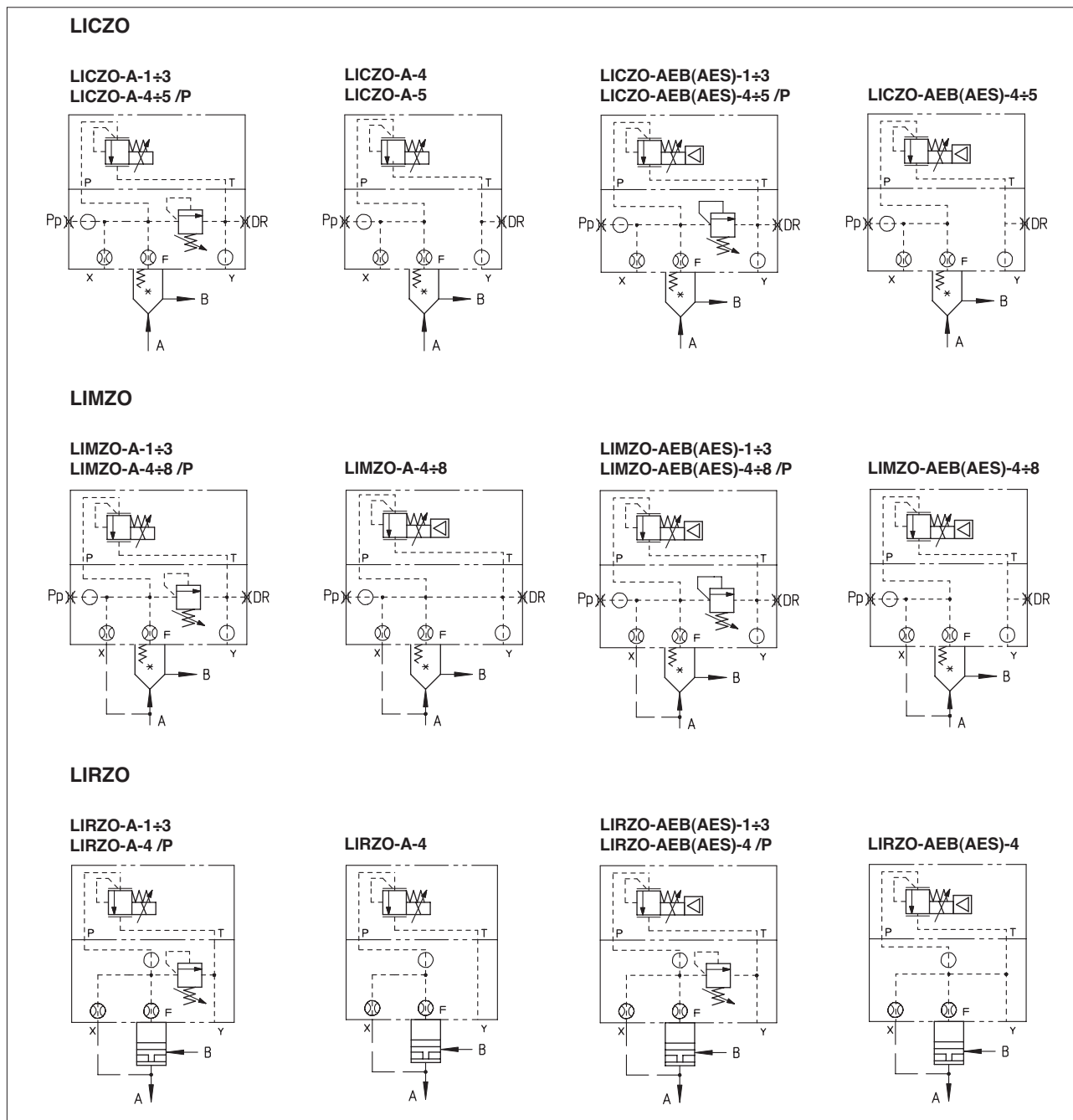
<b>LIMZO</b>	-	<b>A</b>	<b>EB</b>	-	<b>NP</b>	-	<b>3</b>	/	<b>315</b>	/	<b>*</b>	/	<b>*</b>	/	<b>**</b>	/	<b>*</b>
<p>Proportional cartridge valves  <b>LICZO</b> = pressure compensator  <b>LIMZO</b> = pressure relief  <b>LIRZO</b> = pressure reducing</p> <p><b>A</b> = open loop pressure control</p> <p>- = omit for execution with separated driver see section 3</p> <p><b>EB</b> = basic integral driver  <b>ES</b> = full integral driver</p> <p><b>Fieldbus interfaces</b> USB port always present (1)  <b>NP</b> = Not present      <b>BP</b> = PROFIBUS DP  <b>BC</b> = CANopen        <b>EH</b> = EtherCAT</p> <p><b>Valve size</b> ISO 7368:  <b>1</b> = 16;    <b>2</b> = 25;    <b>3</b> = 32;    <b>4</b> = 40;    <b>5</b> = 50 (not for LIRZO)  <b>6</b> = 63; (only for LIMZO)    <b>8</b> = 80; (only for LIMZO)</p> <p><b>Coil voltage</b> only for <b>A</b> - see sect. 11:  - = standard coil for 24V<sub>DC</sub> Atos drivers  <b>6</b> = optional coil for 12V<sub>DC</sub> Atos drivers  <b>18</b> = optional coil for low current drivers</p> <p><b>Hydraulic options:</b>  <b>P</b> = with integral mechanical pressure limiter (standard for size 1, 2 and 3)</p> <p><b>Electronics options</b>  only for <b>AEB</b> and <b>AES</b> - see section 12:  <b>I</b> = current reference input and monitor 4÷20 mA (omit for standard voltage reference input 0÷10 V)  <b>Q</b> = enable signal  <b>Z</b> = double power supply, enable, fault and monitor signals - 12 pin connector</p> <p><b>Max regulated pressure:</b>  <b>50</b> = 50 bar                      <b>210</b> = 210 bar  <b>100</b> = 100 bar                   <b>315</b> = 315 bar                   <b>350</b> = 350 bar</p> <p>Seals material, see sect. 6, 7:  - = NBR  <b>PE</b> = FKM  <b>BT</b> = HNBR</p> <p>Series number</p>																	

(1) Omit for **A** execution; **AEB** available only in version **NP**; **AES** available only in version **BC, BP, EH**

### 2 MODEL CODE FOR CARTRIDGES

<b>SC LI</b>	-	<b>32</b>	<b>31</b>	<b>2</b>	<b>**</b>	/	<b>*</b>
<p>Cartridge according to ISO 7368</p> <p>Size: <b>16; 25; 32; 40; 50; 63; 80</b></p> <p>Type of cartridge, see section 3 for functions  <b>31</b> = for LIMZO and LICZO  <b>36</b> = for LICZO  <b>37</b> = for LIRZO</p> <p>Spring cracking pressure:  <b>2</b> = 1,5 bar for poppet 31  <b>3</b> = 3 bar    <b>6</b> = 6 bar for poppet 31 and 36  <b>4</b> = 4 bar    <b>7</b> = 7 bar for poppet 37</p> <p>Seals material, see sect. 6, 7:  - = NBR  <b>PE</b> = FKM</p> <p>Series number</p>							

## Hydraulic symbols



### 3 ELECTRONIC DRIVERS

Valve model	A						AEB	AES			
	E-MI-AC-01F		E-BM-AC-01F		E-ME-AC-01F		E-MI-AS-IR	E-BM-AS-PS	E-BM-AES	E-RI-AEB	E-RI-AES
Drivers model	E-MI-AC-01F		E-BM-AC-01F		E-ME-AC-01F		E-MI-AS-IR	E-BM-AS-PS	E-BM-AES	E-RI-AEB	E-RI-AES
Type	Analog						Digital				
Voltage supply (V <sub>dc</sub> )	12	24	12	24	24	12	24	12	24	24	24
Valve coil option	/6	std	/6	std	std	/6	std	/6	std	std	std
Format	plug-in to solenoid		DIN 43700 UNDECAL		EUROCARD	plug-in to solenoid		DIN-rail panel		Integral to valve	
Data sheet	G010		G025		G035	G020		G030	GS050	GS115	

**Note:** for main and communication connector see sections 15, 16

### 4 GENERAL NOTES

LICZO-A\*, LIMZO-A\* and LIRZO-A\* proportional valves are CE marked according to the applicable Directives (e.g. Immunity/Emission EMC Directive and Low Voltage Directive). Installation, wirings and start-up procedures must be performed according to the general prescriptions shown in table F003 and in the installation notes supplied with relevant components.

**5** **FIELDBUS** - only for **AES**

Fieldbus allows the direct communication of the proportional valve with machine control unit for digital reference signal, diagnostics and settings of functional parameters. Analog reference signal remain available on the main connector for quick commissioning and maintenance. For detailed information about fieldbus features and specification see tech table **GS510**.

**6** **MAIN CHARACTERISTICS** - based on mineral oil ISO VG 46 at 50 °C

Assembly position	Any position			
Subplate surface finishing	Roughness index, Ra 0,4 flatness ratio 0,01/100 (ISO 1101)			
MTTFd valves according to EN ISO 13849	150 years, see technical table P007			
Ambient temperature range	<b>A:</b> <b>standard</b> = -20°C ÷ +70°C,		<b>/BT</b> option = -40°C ÷ +60°C	
	<b>AEB, AES: standard</b> = -20°C ÷ +60°C,		<b>/BT</b> option = -40°C ÷ +60°C	
Storage temperature range	<b>A:</b> <b>standard</b> = -20°C ÷ +80°C,		<b>/BT</b> option = -40°C ÷ +70°C	
	<b>AEB, AES: standard</b> = -20°C ÷ +70°C,		<b>/BT</b> option = -40°C ÷ +70°C	
Coil resistance R at 20°C	Standard = 3 ÷ 3,3 Ω	Option /6 = 2 ÷ 2,2 Ω	Option /18 = 13 ÷ 13,4 Ω	
Max. solenoid current	Standard = 2,6 A	Option /6 = 3,25 A	Option /18 = 1,5 A	
Max. power	<b>A</b> = 30 Watt <b>AEB, AES</b> = 50 Watt			
Insulation class	H (180°) Due to the occurring surface temperatures of the solenoid coils, the European standards ISO 13732-1 and EN982 must be taken into account			
Protection degree to DIN EN60529	IP66/67 with mating connectors			
Tropicalization (only AEB, AES)	Tropical coating on electronics PCB			
Duty factor	Continuous rating (ED=100%)			
EMC, climate and mechanical load	See technical table G004			
Communication interface (only AEB, AES)	USB Atos ASCII coding	CANopen EN50325-4 + DS408	PROFIBUS DP EN50170-2/IEC61158	EtherCAT IEC 61158
Communication physical layer (only AEB, AES)	not insulated USB 2.0 + USB OTG	optical insulated CAN ISO11898	optical insulated RS485	Fast Ethernet, insulated 100 Base TX

Valve model	LICZO					LIMZO							LIRZO				
	16	25	32	40	50	16	25	32	40	50	63	80	16	25	32	40	
Valve size																	
Max flow [l/min]	200	400	750	1000	2000	200	400	750	1000	2000	3000	4500	160	300	550	800	
Min regulated pres. at port A [bar]	9	8,5	8	13	15	7	7	7	10,5	12	12	(2)	7				
Min regulated pres. at port A for /350 [bar]	11	10	10	13	16	10	10	9	12	13	13	16	12				
Max regulated pres. at port A [bar]	100; 210; 315; 350					100; 210; 315; 350							100; 210; 315; 350				
Response time 0-100% step signal (1) [ms] (depending on installation)	100÷400					100÷450							100÷350				
Hysteresis [% of regulated max pres.]	≤ 2					≤ 1,5							≤ 2				
Linearity [% of regulated max pres.]	≤ 3					≤ 3							≤ 3				
Repeatability [% of regulated max pres.]	≤ 2					≤ 2							≤ 2				

**Notes:** above performance data refer to valves coupled with Atos electronic drivers, see section 3

- (1) Average response time value; the pressure variation in consequence of a modification of the reference input signal to the valve is affected by the stiffness of the hydraulic circuit: greater is the stiffness of the circuit, faster is the dynamic response
- (2) consult our technical office

**7** **SEALS AND HYDRAULIC FLUID** - for other fluids not included in below table, consult our technical office

Seals, recommended fluid temperature	NBR seals (standard) = -20°C ÷ +60°C, with HFC hydraulic fluids = -20°C ÷ +50°C FKM seals (/PE option) = -20°C ÷ +80°C HNBR seals (/BT option) = -40°C ÷ +60°C, with HFC hydraulic fluids = -40°C ÷ +50°C		
Recommended viscosity	20÷100 mm <sup>2</sup> /s - max allowed range 15 ÷ 380 mm <sup>2</sup> /s		
Fluid contamination class	ISO 4406 class 20/18/15 NAS 1638 class 9, achievable with in line filter - 10 μm (β10 ≥75 recommended)		
<b>Hydraulic fluid</b>	<b>Suitable seals type</b>	<b>Classification</b>	<b>Ref. Standard</b>
Mineral oils	NBR, FKM, HNBR	HL, HLP, HLPD, HVLP, HVLPD	DIN 51524
Flame resistant without water	FKM	HFDU, HFDR	ISO 12922
Flame resistant with water	NBR, HNBR	HFC	

**8 DIAGRAMS** (based on mineral oil ISO VG 46 at 50 °C)

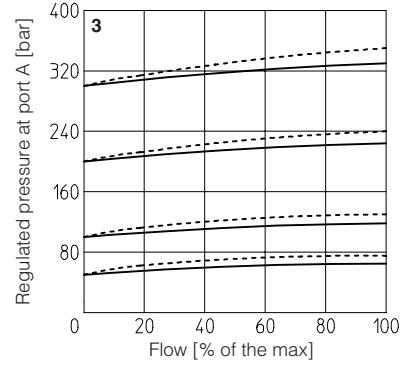
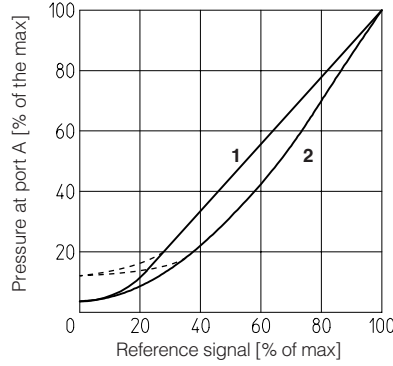
**1 Regulation diagrams LIMZO**

**2 Regulation diagrams LICZO**

--- dotted line = /350

**3 Pressure/flow diagrams LICZO, LIMZO**

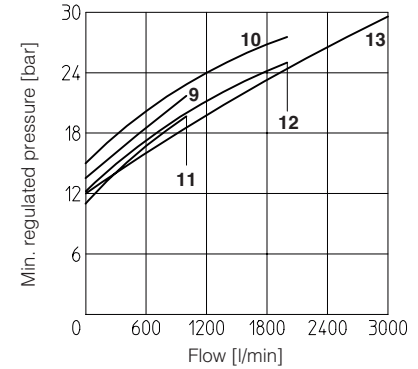
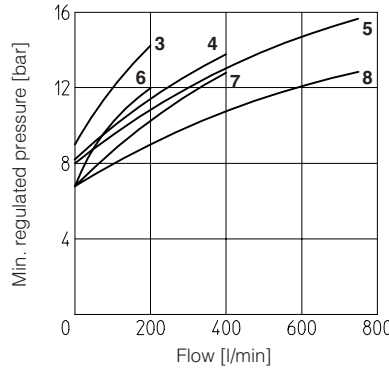
--- dotted line = /350



**4-14 Min. pressure/flow diagrams**  
with zero reference signal

- 4 = LIMZO\*-1      7 = LICZO\*-1
- 5 = LIMZO\*-2      8 = LICZO\*-2
- 6 = LIMZO\*-3      9 = LICZO\*-3
- 12 = LIMZO\*-4     10 = LICZO\*-4
- 13 = LIMZO\*-5     11 = LICZO\*-5
- 14 = LIMZO\*-6

**Note:** for LIMZO\*-8 consult our technical office

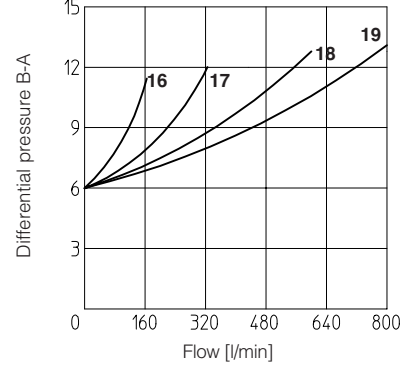
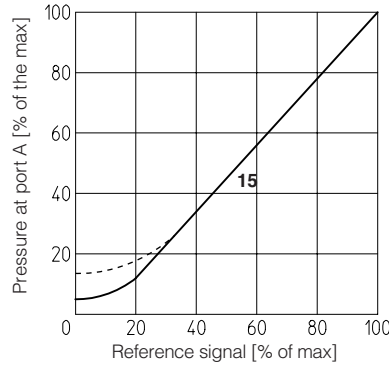


**Regulation diagrams LIRZO**

15 = LIRZO-A, LIRZO-AEB, LIRZO-AES

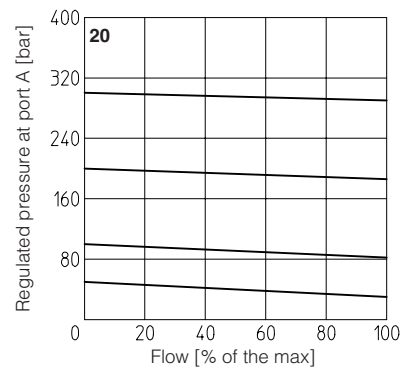
**16-19 Min. pressure/flow diagrams**  
with reference signal "null"

- 16 = LIRZO\*-1
  - 17 = LIRZO\*-2
  - 18 = LIRZO\*-3
  - 19 = LIRZO\*-4
- dotted line = /350



**Pressure/flow diagrams**

20 = LIRZO-A, LIRZO-AE, LIRZO-AES



**9 HYDRAULIC OPTIONS**

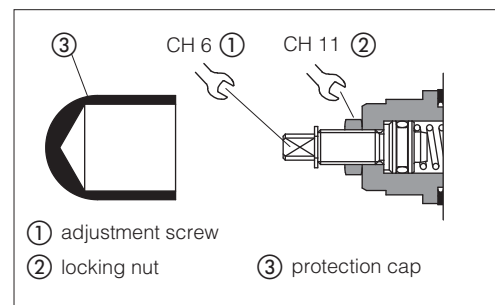
**9.1 Option /P - integral mechanical pressure limiter (standard for size 1, 2 and 3)**

The LICZO-A\*, LIMZO-A\* and LIRZO-A\* standard size 1, 2, 3 and option /P are provided with mechanical pressure limiter acting as protection against overpressure. For safety reasons the factory setting of the mechanical pressure limiter is fully unloaded (min pressure).

At the first commissioning it must be set at a value lightly higher than the max pressure regulated with the proportional control.

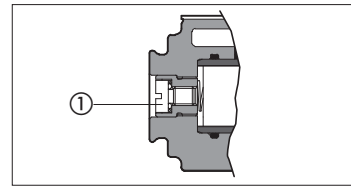
For the pressure setting of the mechanical pressure limiter, proceed according to following steps:

- apply the max reference input signal to the valve's driver. The system pressure will not increase until the mechanical pressure limiter remains unloaded.
- turn clockwise the adjustment screw ① until the system pressure will increase up to a stable value corresponding to the pressure setpoint at max reference input signal.
- turn clockwise the adjustment screw ① of additional 1 or 2 turns to ensure that the mechanical pressure limiter remains closed during the proportional valve working.



## 10 AIR BLEEDING

At the first valve commissioning the air eventually trapped inside the solenoid must be bled-off through the screw ① located at the rear side of the solenoid housing.  
The presence of air may cause pressure instability and vibrations.



## 11 OPTIONS for -A

### 8.1 Coil voltage

**Option /6** optional coil to be used with Atos drivers with power supply 12 V<sub>DC</sub>

**Option /18** optional coil to be used with electronic drivers not supplied by Atos

## 12 ELECTRONIC OPTIONS - for AEB and AES

Standard driver execution provides on the 7 pin main connector:

**Power supply** - 24V<sub>DC</sub> must be appropriately stabilized or rectified and filtered; a 2.5 A fuse time lag is required in series to each driver power supply. Apply at least a 10000 µF/40 V capacitance to single phase rectifiers or a 4700 µF/40 V capacitance to three phase rectifiers

**Reference input signal** - analog differential input with 0÷+10 V<sub>DC</sub> nominal range (pin D, E), proportional to desired valve pressure regulation

**Monitor output signal** - analog output signal proportional to the actual valve's coil current (1V monitor = 1A coil current)

**Note:** a minimum booting time of 500 ms has been considered from the driver energizing with the 24 V<sub>DC</sub> power supply before the valve has been ready to operate. During this time the current to the valve coils is switched to zero.

### 12.1 Option /I

It provides 4 ÷ 20 mA current reference signal, instead of the standard 0÷+10 V<sub>DC</sub>.

Input signal can be reconfigured via software selecting between voltage and current, within a maximum range of ±10 V or ±20 mA.

It is normally used in case of long distance between the machine control unit and the valve or where the reference signal can be affected by electrical noise; the valve functioning is disabled in case of reference signal cable breakage

### 12.2 Option /Q

To enable the driver, supply 24 V<sub>DC</sub> on pin C referred to pin B: Enable input signal allows to enable/disable the current supply to the solenoid, without removing the electrical power supply to the driver; it is used to maintain active the communication and the other driver functions when the valve has to be disabled. This condition does not comply with European Norms EN13849-1 (ex EN954-1).

### 12.3 Option /Z

It provides, on the 12 pin main connector, the following additional features:

#### Enable Input Signal

To enable the driver, supply 24 V<sub>DC</sub> on pin 3 referred to pin 2: Enable input signal allows to enable/disable the current supply to the solenoid, without removing the electrical power supply to the driver; it is used to maintain active the communication and the other driver functions when the valve has to be disabled. This condition does not comply with European Norms EN13849-1 (ex EN954-1).

#### Fault Output Signal

Fault output signal indicates fault conditions of the driver (solenoid short circuits/not connected, reference signal cable broken for 4÷20mA input, etc.). Fault presence corresponds to 0 V<sub>DC</sub>, normal working corresponds to 24 V<sub>DC</sub> (pin 11 referred to pin 2): Fault status is not affected by the Enable input signal

#### Power supply for driver's logics and communication

Separate power supply (pin 9,10) allow to cut solenoid power supply (pin 1, 2) while maintaining active diagnostics, serial and fieldbus communication. A safety fuse is required in series to each driver power supply: 500 mA fast fuse.

### 12.4 Possible combined options: /IQ, /IZ

## 13 PROGRAMMING TOOLS - see tech table GS500

Valve's functional parameters and configurations, can be easily set and optimized using Atos E-SW programming software connected via USB port to the digital driver. For fieldbus versions, the software permits valve's parameterization through USB port also if the driver is connected to the central machine unit via fieldbus.

The software is available in different versions according to the driver's options:

**E-SW-BASIC** support: NP (USB) PS (Serial) IR (Infrared)

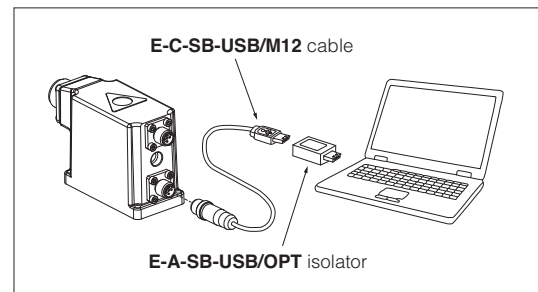
**E-SW-FIELDBUS** support: BC (CANopen) BP (PROFIBUS DP) EH (EtherCAT)  
EW (POWERLINK) EI (EtherNet/IP)

**E-SW-\*/PQ** support: valves with SP, SF, SL alternated control (e.g. E-SW-BASIC/PQ)

#### **WARNING: drivers USB port is not isolated!**

The use of isolator adapter is highly recommended for PC protection (see table GS500)

### USB connection



## 14 ELECTRONIC CONNECTIONS

### 14.1 Main connector signals - 7 pin - standard and /Q option - LI\*ZO-AEB and LI\*ZO-AES (A1)

PIN	Standard	/Q	TECHNICAL SPECIFICATIONS	NOTES
A	V+		Power supply 24 Vdc Rectified and filtered: $V_{RMS} = 20 \div 32 V_{MAX}$ (ripple max 10 % $V_{PP}$ )	Input - power supply
B	V0		Power supply 0 Vdc	Gnd - power supply
C	AGND		Analog ground	Gnd - analog signal
		ENABLE	Enable (24 Vdc) or disable (0 Vdc) the driver, referred to V0	Input - on/off signal
D	INPUT+		Pressure reference input signal: $\pm 10 Vdc / \pm 20 mA$ maximum range Defaults are 0 $\div$ 10 Vdc for standard and 4 $\div$ 20 mA for /I option	Input - analog signal <b>Software selectable</b>
E	INPUT-		Negative reference input signal for P_INPUT+	Input - analog signal
F	MONITOR referred to: AGND   V0		Pressure monitor output signal: $\pm 5 Vdc$ maximum range Default is 0 $\div$ 5 Vdc (1V = 1A)	Output - analog signal <b>Software selectable</b>
G	EARTH		Internally connected to driver housing	

### 14.2 Main connector signals - 12 pin - /Z option - LI\*ZO-AEB and LI\*ZO-AES (A2)

PIN	/Z	TECHNICAL SPECIFICATIONS	NOTES
1	V+	Power supply 24 Vdc Rectified and filtered: $V_{RMS} = 20 \div 32 V_{MAX}$ (ripple max 10 % $V_{PP}$ )	Input - power supply
2	V0	Power supply 0 Vdc	Gnd - power supply
3	ENABLE	Enable (24 Vdc) or disable (0 Vdc) the driver, referred to V0	Input - on/off signal
4	INPUT+	Pressure reference input signal: $\pm 10 Vdc / \pm 20 mA$ maximum range Defaults are 0 $\div$ 10 Vdc for standard and 4 $\div$ 20 mA for /I option	Input - analog signal <b>Software selectable</b>
5	INPUT-	Negative reference input signal for P_INPUT+	Input - analog signal
6	MONITOR	Pressure monitor output signal: $\pm 5 Vdc$ maximum range Defaults is 0 $\div$ 5 Vdc (1V = 1A)	Output - analog signal <b>Software selectable</b>
7	NC	Do not connect	
8	NC	Do not connect	
9	VL+	Power supply 24 Vdc for driver's logic and communication	Input - power supply
10	VLO	Power supply 0 Vdc for driver's logic and communication	Gnd - power supply
11	FAULT	Fault (0 Vdc) or normal working (24 Vdc), referred to V0	Output - on/off signal
PE	EARTH	Internally connected to driver housing	

### 14.3 Communication connectors - LI\*ZO-AEB (B) and LI\*ZO-AES (B) (C)

(B) USB connector - M12 - 5 pin always present		
PIN	SIGNAL	TECHNICAL SPECIFICATION (1)
1	+5V_USB	Power supply
2	ID	Identification
3	GND_USB	Signal zero data line
4	D-	Data line -
5	D+	Data line +

(C1) BC fieldbus execution, connector - M12 - 5 pin (2)		
PIN	SIGNAL	TECHNICAL SPECIFICATION (1)
1	CAN_SHLD	Shield
2	NC	do not connect
3	CAN_GND	Signal zero data line
4	CAN_H	Bus line (high)
5	CAN_L	Bus line (low)

(C2) BP fieldbus execution, connector - M12 - 5 pin (2)		
PIN	SIGNAL	TECHNICAL SPECIFICATION (1)
1	+5V	Termination supply signal
2	LINE-A	Bus line (high)
3	DGND	Data line and termination signal zero
4	LINE-B	Bus line (low)
5	SHIELD	

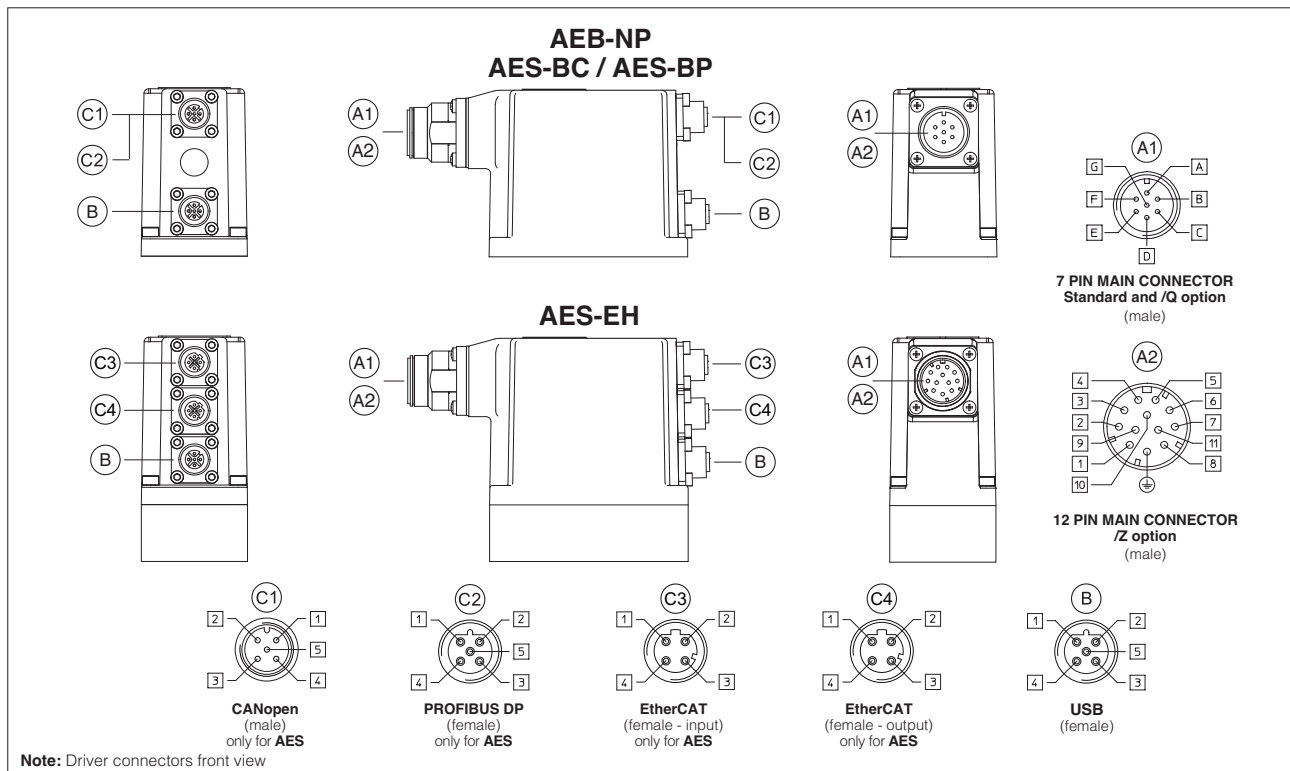
(C3) (C4) EH fieldbus execution, connector - M12 - 4 pin (2)		
PIN	SIGNAL	TECHNICAL SPECIFICATION (1)
1	TX+	Transmitter
2	RX+	Receiver
3	TX-	Transmitter
4	RX-	Receiver
Housing	SHIELD	

Notes: (1) shield connection on connector's housing is recommended (2) only for AES execution

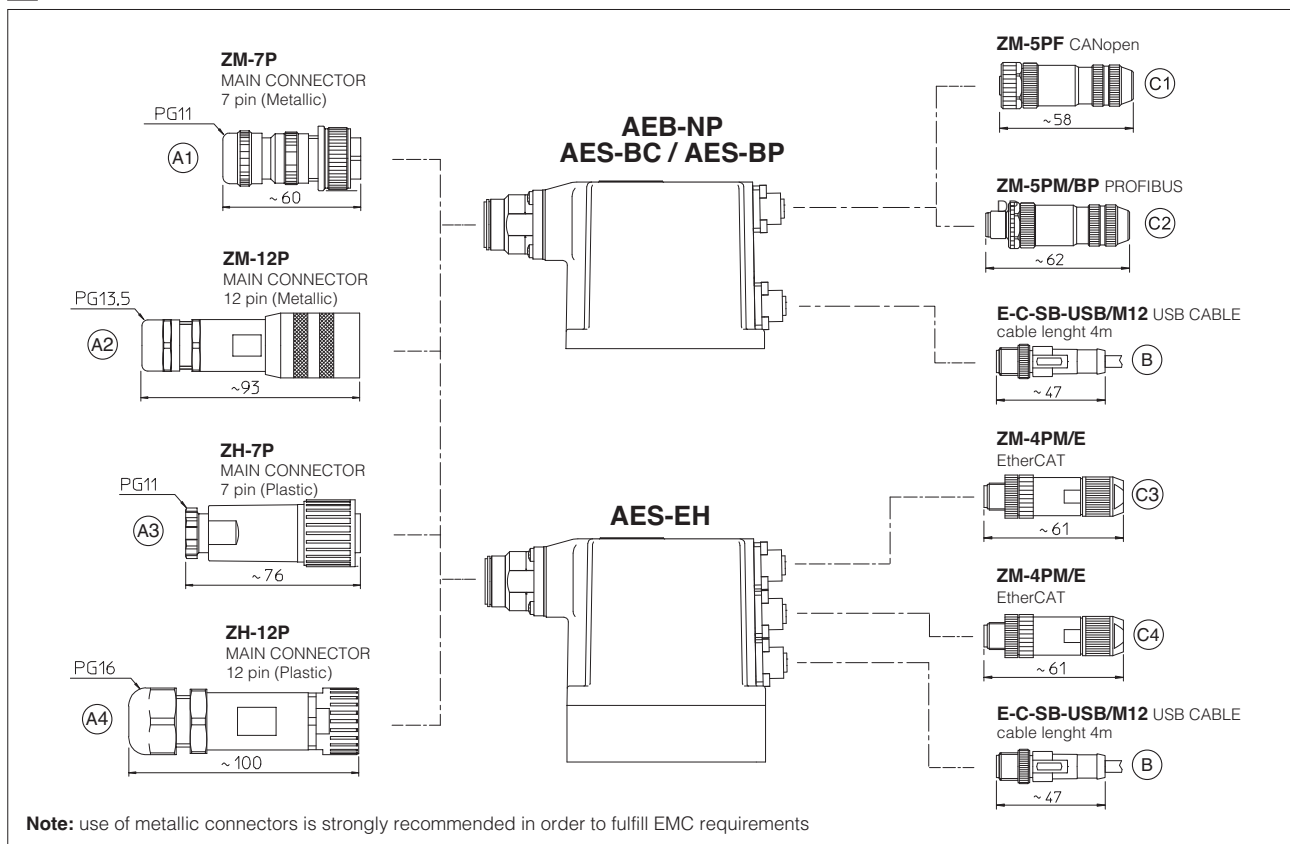
### 14.4 Solenoid connection - only for LI\*ZO-A

PIN	SIGNAL	TECHNICAL SPECIFICATION	Connector code 666
1	COIL	Power supply	
2	COIL	Power supply	
3	GND	Ground	

14.5 Connections layout - only for AEB and AES



15 CONNECTORS



16 MODEL CODES OF MAIN CONNECTORS AND COMMUNICATION CONNECTORS - to be ordered separately

VALVE VERSION	A (1) Power supply	AEB AES	AEB/Z AES/Z	BC - CANopen	BP - PROFIBUS DP	EH - EtherCAT
CONNECTOR CODE	666	ZM-7P (A1)	ZM-12P (A2)	ZM-5PF (C1)	ZM-5PM/BP (C2)	ZM-4PM/E (C3)
		ZH-7P (A3)	ZH-12P (A4)			ZM-4PM/E (C4)
PROTECTION DEGREE	IP67	IP67				
DATA SHEET	K500	GS115, K500				

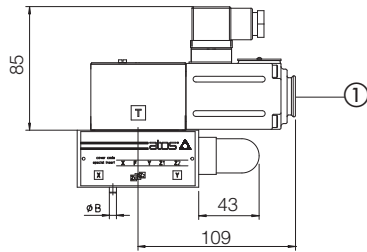
(1) Connectors supplied with the valve

only for AES

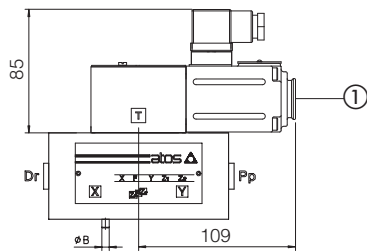
17 COVERS INSTALLATION DIMENSIONS [mm]

Version **-A** without integral driver

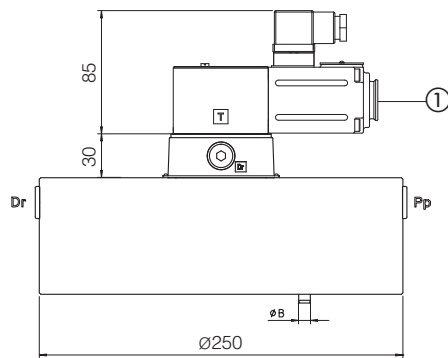
LICZO-A-1    LIMZO-A-1    LIRZO-A-1  
 LICZO-A-2    LIMZO-A-2    LIRZO-A-2  
 LICZO-A-3    LIMZO-A-3    LIRZO-A-3



LICZO-A-4    LIMZO-A-4    LIRZO-A-4  
 LICZO-A-5    LIMZO-A-5  
 LIMZO-A-6



LIMZO-A-8

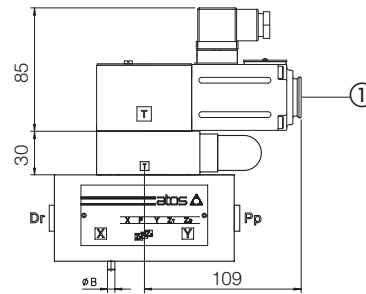


Mass (kg)

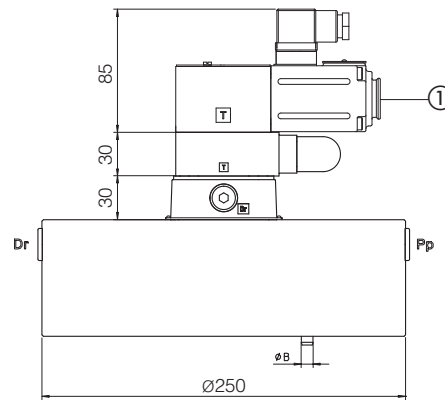
Size	LICZO, LIMZO, LIRZO		Cartridge
	Standard	Option /P	SC LI
1	3,3	-	0,2
2	4,0	-	0,5
3	5,3	-	0,9
4	10,7	11,7	1,7
5	14,2	15,2	2,9
6	23,7	24,7	6,7
8	32,3	33,3	13,1

① = Screw for air bleeding: at the first valve commissioning the air eventually trapped inside the solenoid must be bled-off through the screw ①

LICZO-A-4/P    LIMZO-A-4/P    LIRZO-A-4/P  
 LICZO-A-5/P    LIMZO-A-5/P  
 LIMZO-A-6/P



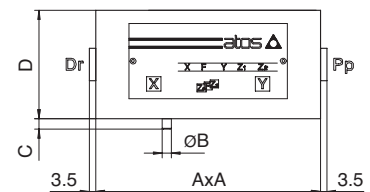
LIMZO-A-8/P



Note: for mounting surface and cavity dimensions, see tech. table P006

COVERS DIMENSIONS [mm]

Size	A	$\phi B$	C	D	Port Pp-Dr	Seal	Fastening bolts class 12.9	Tightening torque Nm
1	65x80	3	4	40	-	n° 2 OR 108	n° 4 M8x45	35
2	85	5	6	40	-	n° 2 OR 108	n° 4 M12x45	125
3	100	5	6	50	-	n° 2 OR 2043	n° 4 M16x55	300
4	125	5	6	60	G 1/4"	n° 2 OR 2050	n° 4 M20x70	600
5	140	6	4	70	G 1/4"	n° 2 OR 2050	n° 4 M20x80	600
6	180	6	4	80	G 3/8"	n° 2 OR 2056	n° 4 M30x90	2100
8	$\phi 250$	8	6	80	G 3/8"	n° 2 OR 123	n° 4 M24x90	1000

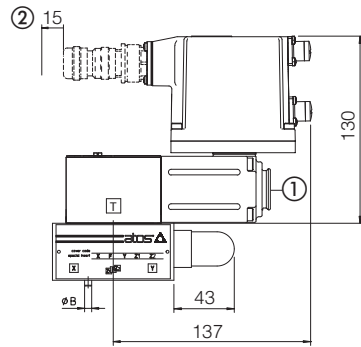


Note: For size 1 cover is not squared, dimensions 65x80

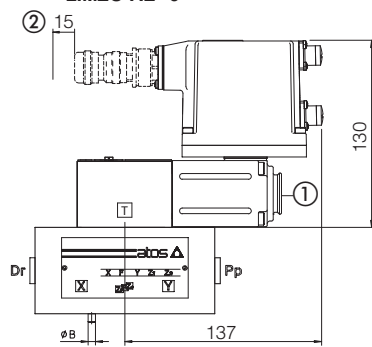


Versions **-AEB** and **-AES**

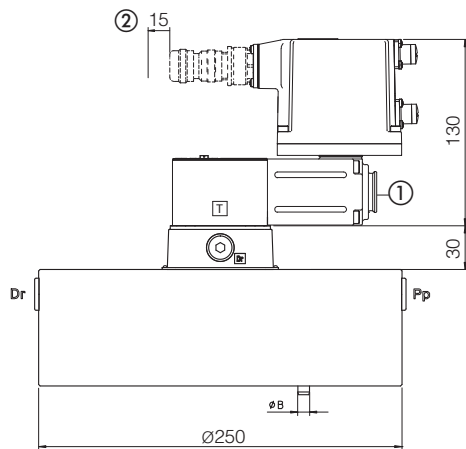
LICZO-AE\*-1 LIMZO-AE\*-1 LIRZO-AE\*-1  
 LICZO-AE\*-2 LIMZO-AE\*-2 LIRZO-AE\*-2  
 LICZO-AE\*-3 LIMZO-AE\*-3 LIRZO-AE\*-3



LICZO-AE\*-4 LIMZO-AE\*-4 LIRZO-AE\*-4  
 LICZO-AE\*-5 LIMZO-AE\*-5 LIMZO-AE\*-6



LIMZO-AE\*-8



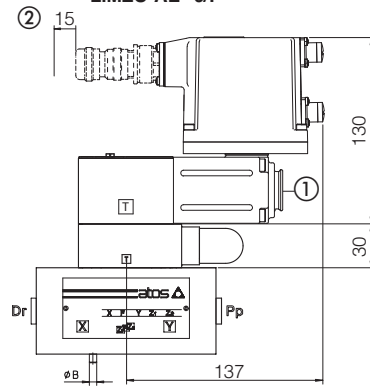
Mass (kg)

Size	LICZO, LIMZO, LIRZO		Cartridge
	Standard	Option /P	SC LI
1	4	-	0,2
2	4,5	-	0,5
3	5,8	-	0,9
4	11,2	12,2	1,7
5	14,7	15,7	2,9
6	24,2	25,2	6,7
8	32,8	33,8	13,1

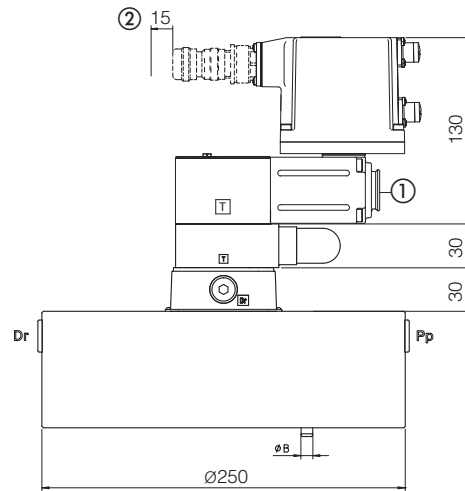
① = Screw for air bleeding: at the first valve commissioning the air eventually trapped inside the solenoid must be bled-off through the screw ①

② = Space to remove the 7 or 12 pin main connector. For main and communication connectors see section 15, 16

LICZO-AE\*-4/P LIMZO-AE\*-4/P LIRZO-AE\*-4/P  
 LICZO-AE\*-5/P LIMZO-AE\*-5/P LIMZO-AE\*-6/P



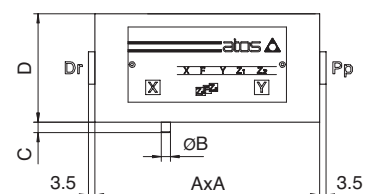
LIMZO-AE\*-8/P



Note: for mounting surface and cavity dimensions, see tech. table P006

COVERS DIMENSIONS [mm]

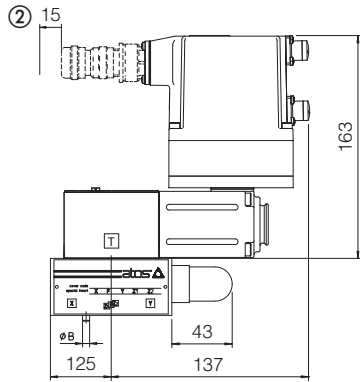
Size	A	Ø B	C	D	Port Pp-Dr	Seal	Fastening bolts class 12.9	Tightening torque Nm
1	65x80	3	4	40	-	n° 2 OR 108	n° 4 M8x45	35
2	85	5	6	40	-	n° 2 OR 108	n° 4 M12x45	125
3	100	5	6	50	-	n° 2 OR 2043	n° 4 M16x55	300
4	125	5	6	60	G 1/4"	n° 2 OR 2050	n° 4 M20x70	600
5	140	6	4	70	G 1/4"	n° 2 OR 2050	n° 4 M20x80	600
6	180	6	4	80	G 3/8"	n° 2 OR 2056	n° 4 M30x90	2100
8	Ø250	8	6	80	G 3/8"	n° 2 OR 123	n° 4 M24x90	1000



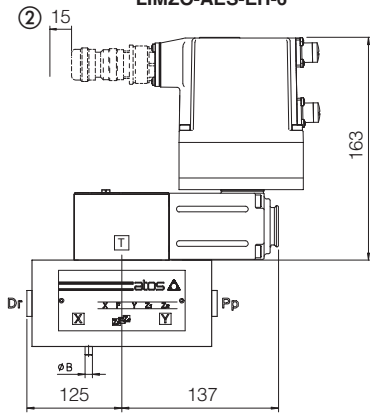
Note:  
 For size 1 cover is not squared, dimensions 65x80

Version **-AES-EH**

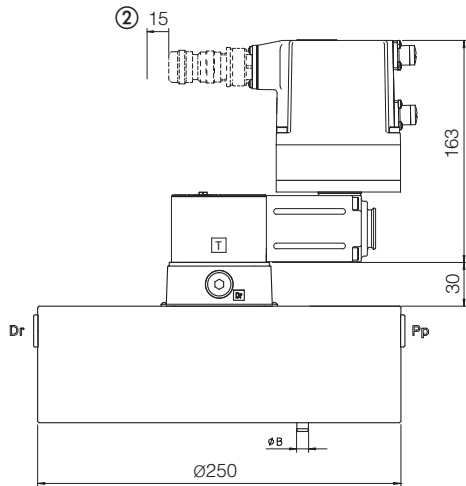
LICZO-AES-EH-1 LIMZO-AES-EH-1 LIRZO-AES-EH-1  
 LICZO-AES-EH-2 LIMZO-AES-EH-2 LIRZO-AES-EH-2  
 LICZO-AES-EH-3 LIMZO-AES-EH-3 LIRZO-AES-EH-3



LICZO-AES-EH-4 LIMZO-AES-EH-4 LIRZO-AES-EH-4  
 LICZO-AES-EH-5 LIMZO-AES-EH-5 LIRZO-AES-EH-5  
 LIMZO-AES-EH-6



LIMZO-AES-EH-8

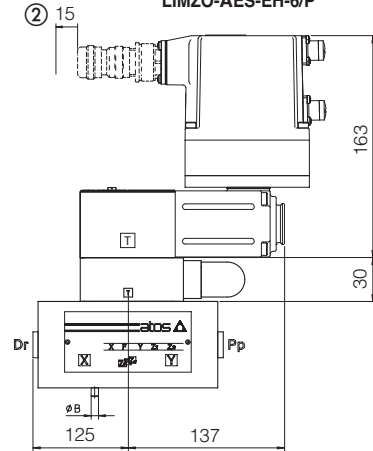


Mass (kg)

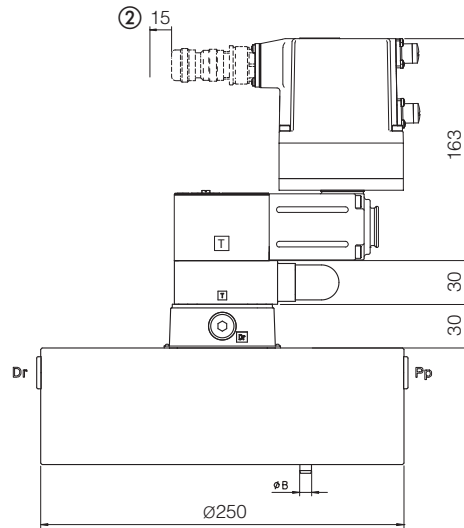
Size	LICZO, LIMZO, LIRZO		Cartridge
	Standard	Option /P	SC LI
1	4,1	-	0,2
2	4,6	-	0,5
3	5,9	-	0,9
4	11,3	12,3	1,7
5	14,8	15,8	2,9
6	24,3	25,3	6,7
8	32,9	33,9	13,1

- ① = Screw for air bleeding: at the first valve commissioning the air eventually trapped inside the solenoid must be bled-off though the screw ①
- ② = Space to remove the 7 or 12 pin main connector. For main and communication connectors see section 15, 16

LICZO-AES-EH-4/P LIMZO-AES-EH-4/P LIRZO-AES-EH-4/P  
 LICZO-AES-EH-5/P LIMZO-AES-EH-5/P LIRZO-AES-EH-6/P



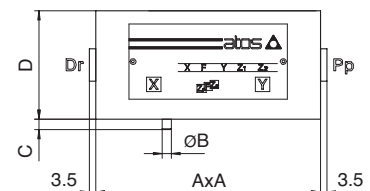
LIMZO-AES-EH-8/P



Note: for mounting surface and cavity dimensions, see tech. table P006

COVERS DIMENSIONS [mm]

Size	A	Ø B	C	D	Port Pp-Dr	Seal	Fastening bolts class 12.9	Tightening torque Nm
1	65x80	3	4	40	-	n° 2 OR 108	n° 4 M8x45	35
2	85	5	6	40	-	n° 2 OR 108	n° 4 M12x45	125
3	100	5	6	50	-	n° 2 OR 2043	n° 4 M16x55	300
4	125	5	6	60	G 1/4"	n° 2 OR 2050	n° 4 M20x70	600
5	140	6	4	70	G 1/4"	n° 2 OR 2050	n° 4 M20x80	600
6	180	6	4	80	G 3/8"	n° 2 OR 2056	n° 4 M30x90	2100
8	Ø250	8	6	80	G 3/8"	n° 2 OR 123	n° 4 M24x90	1000



Note:  
 For size 1 cover is not squared, dimensions 65x80