

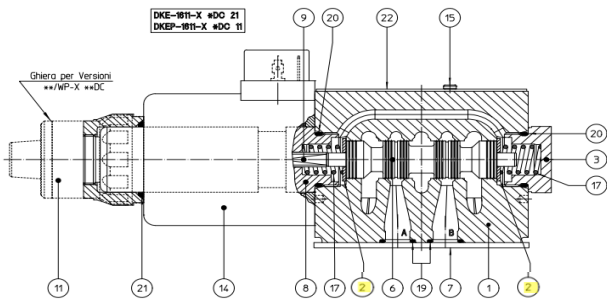
DKE SPOOL & SPRINGS ASSEMBLY



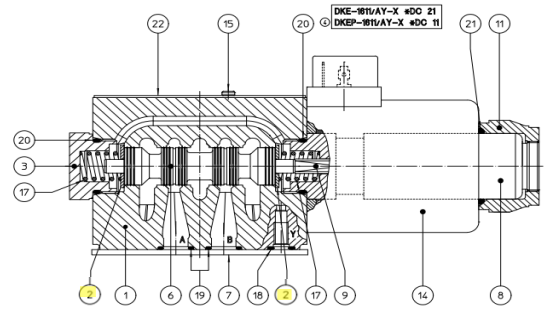
September 2025

VALVE CODE	SPOOL		WASHERS			SPRINGS			
	TYPE	CODE	POS. 2	POS. 4	POS. 5	AC	Q.TY	DC	Q.TY
DKE*-1610 + /A	0	A15-DKER-100070	A15-DKER-100013			AMO-885	2	AMO-883	2
DKE*-1670 + /A			A15-DKER-100021	A15-DKER-100023	AMO-884	AMO-884			
DKE*-1710			A15-DKER-100013		AMO-885	AMO-883			
DKE*-1611 + /A	1	A15-DKER-100071	A15-DKER-100013			AMO-887	2	AMO-887	2
DKE*-1671 + /A			A15-DKER-100021	A15-DKER-100023	AMO-885	AMO-883			
DKE*-1711			A15-DKER-100013		AMO-887	AMO-887			
DKE*-1613 + /A	3	A15-DKER-100073	A15-DKER-100013			AMO-884	2	AMO-884	2
DKE*-1673 + /A			A15-DKER-100021	A15-DKER-100023	AMO-885	AMO-883			
DKE*-1713			A15-DKER-100013		AMO-884	AMO-884			
DKE*-1614 + /A	4	A15-DKER-100074	A15-DKER-100013			AMO-885	2	AMO-883	2
DKE*-1674 + /A			A15-DKER-100021	A15-DKER-100023	AMO-884	AMO-884			
DKE*-1714			A15-DKER-100013		AMO-885	AMO-883			
DKE*-1615--58 + /A	5--58	A15-DKER-100075	A15-DKER-100013			AMO-885	2	AMO-883	2
DKE*-1675--58 + /A			A15-DKER-100021	A15-DKER-100023	AMO-884	AMO-884			
DKE*-1715--58			A15-DKER-100013		AMO-885	AMO-883			
DKE*-1616--7 + /A	6--7	A15-DKER-100076	A15-DKER-100013			AMO-884	2	AMO-884	2
DKE*-1676--7 + /A			A15-DKER-100021	A15-DKER-100023	AMO-885	AMO-883			
DKE*-1716--7			A15-DKER-100013		AMO-884	AMO-884			
DKE*-1618 + /A	8	A15-DKER-100078	A15-DKER-100013			AMO-885	2	AMO-883	2
DKE*-1678 + /A			A15-DKER-100021	A15-DKER-100023	AMO-884	AMO-884			
DKE*-1718			A15-DKER-100013		AMO-885	AMO-883			
DKE*-16119--91 + /A	19--91	A15-DKER-100091	A15-DKER-100013			AMO-884	2	AMO-884	2
DKE*-16719--91 + /A			A15-DKER-100021	A15-DKER-100023	AMO-885	AMO-883			
DKE*-17119--91			A15-DKER-100013		AMO-884	AMO-884			
DKE*-16139--93 + /A	39--93	A15-DKER-100093	A15-DKER-100013			AMO-884	2	AMO-887	2
DKE*-16739--93 + /A			A15-DKER-100021	A15-DKER-100023	AMO-886	AMO-883			
DKE*-17139--93			A15-DKER-100013		AMO-884	AMO-887			
DKE*-1610/1 + /A	0/1	A15-DKER-100080	A15-DKER-100013			AMO-885	2	AMO-883	2
DKE*-1670/1 + /A			A15-DKER-100021	A15-DKER-100023	AMO-884	AMO-884			
DKE*-1710/1			A15-DKER-100013		AMO-885	AMO-883			
DKE*-1611/1 + /A	1/1	A15-DKER-100081	A15-DKER-100013			AMO-884	2	AMO-887	2
DKE*-1671/1 + /A			A15-DKER-100021	A15-DKER-100023	AMO-885	AMO-883			
DKE*-1711/1			A15-DKER-100013		AMO-884	AMO-887			
DKE*-1711/9	1/9	A15-DKER-100019	A15-DKER-100013			AMO-887	2	AMO-887	2
DKE*-1613/1 + /A	3/1	A15-DKER-100083	A15-DKER-100013			AMO-884	2	AMO-884	2
DKE*-1673/1 + /A			A15-DKER-100021	A15-DKER-100023	AMO-885	AMO-883			
DKE*-1713/1			A15-DKER-100013		AMO-884	AMO-884			
DKE*-1630/2 + /A	0/2	A15-DKER-100060	A15-DKER-100013	A15-DKER-100021		AMO-886	2	AMO-883	2
DKE*-1631/2 + /A	1/2	A15-DKER-100061	A15-DKER-100013	A15-DKER-100021		AMO-886	2	AMO-883	2
DKE*-1632/2 + /A	2/2	A15-DKER-100062	A15-DKER-100013	A15-DKER-100021		AMO-887	2	AMO-885	2
DKE*-1750/2	0/2	A15-DKER-105060	VALVES WITHOUT WASHERS			VALVES WITHOUT SPRINGS			
DKE*-1751/2	1/2	A15-DKER-105061							
DKE*-1752/2	2/2	A15-DKER-105062							
DKE-1700/2	0/2	A15-DKER-100060		A15-DKER-100021		AMO-886	2	AMO-883	2
DKE-1701/2	1/2	A15-DKER-100061		A15-DKER-100021		AMO-886	2	AMO-883	2
DKE-1702/2	2/2	A15-DKER-100062		A15-DKER-100021		AMO-886	2	AMO-883	2

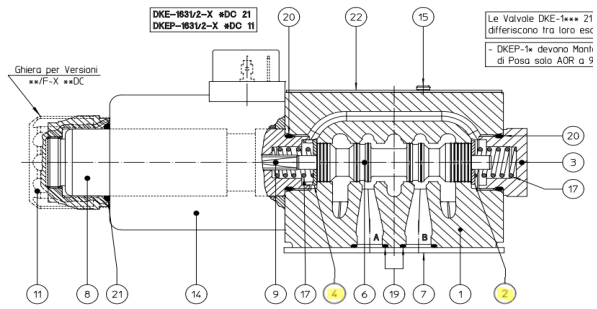
**CONFIGURATION 61**



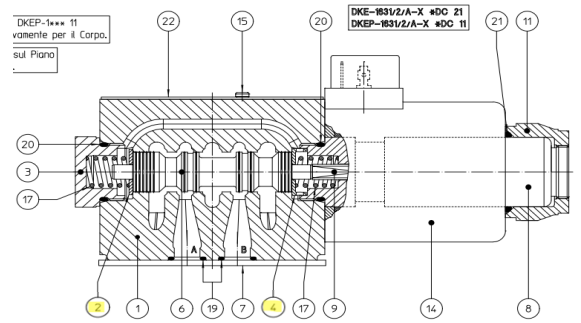
**CONFIGURATION 61 /A**



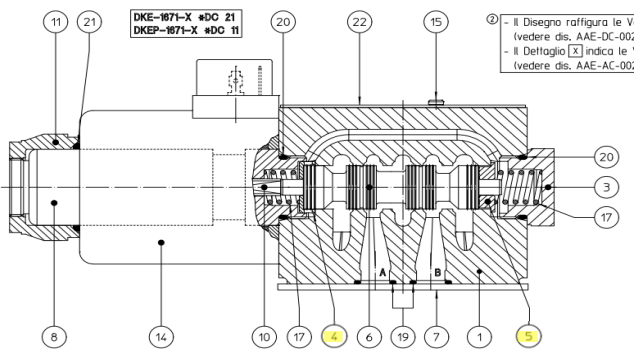
**CONFIGURATION 63**



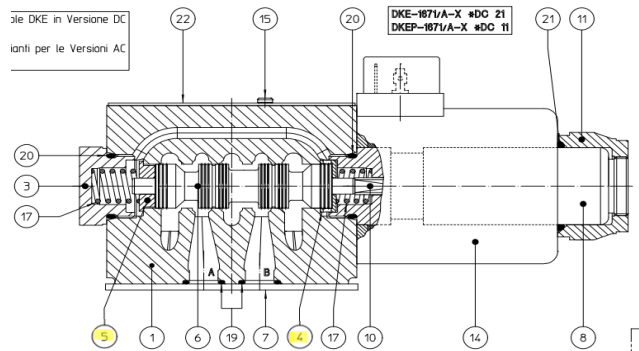
**CONFIGURATION 63 /A**



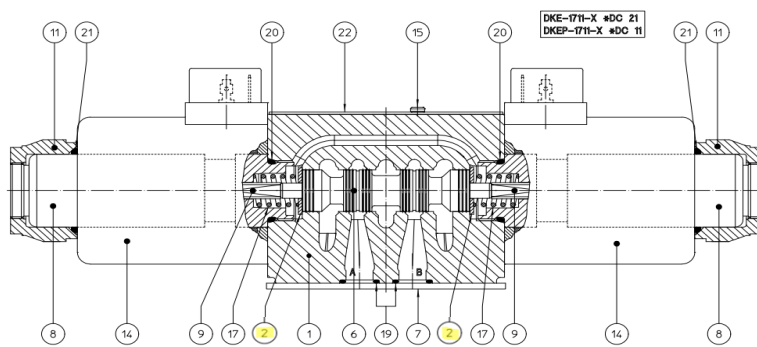
**CONFIGURATION 67**



**CONFIGURATION 67 /A**



**CONFIGURATION 71**



**CONFIGURATION 70**

