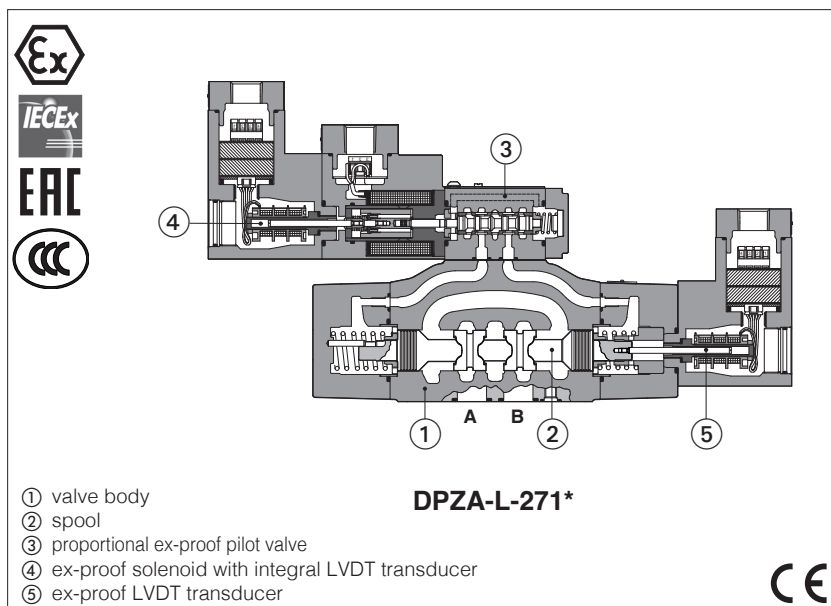


## Ex-proof servoproportional directional valves

piloted, with two LVDT transducers and positive spool overlap - **ATEX, IECEx, EAC, CCC**



### DPZA-L

Ex-proof high performances proportional valves, piloted with two LVDT position transducers (pilot valve and main stage) and positive spool overlap for best dynamics in directional controls and not compensated flow regulations.

They are equipped with ex-proof LVDT transducer and proportional solenoid certified for safe operations in hazardous environments with potentially explosive atmosphere.

- Multicertification **ATEX, IECEx, EAC** and **CCC** for gas group **II 2G** and dust category **II 2D**
- Multicertification **ATEX** and **IECEx** for gas group **I M2** (mining)

The flameproof enclosure of solenoid and transducers, prevents the propagation of accidental internal sparks or fire to the external environment. The solenoid are also designed to limit the surface temperature within the classified limits.

Size: **10 ÷ 27** -ISO4401

Max flow: **180 ÷ 800** l/min

Max pressure: **350** bar

### 1 MODEL CODE

<b>DPZA</b>				/	*	-	<b>L</b>	-	<b>2</b>	<b>71</b>	-	<b>L</b>			<b>5</b>	/	<b>M</b>	/	*		/	*	
Ex-proof proportional directional valve, piloted																							
<b>Certification type:</b> Multicertification ATEX, IECEx, EAC, CCC: - = omit for Group II 2G / 2D <b>M</b> = Group I (mining)																							
<b>L</b> = with two LVDT transducers																							
<b>Valve size ISO 4401:</b> <b>1</b> = 10 <b>2</b> = 16 <b>4</b> = 25 <b>4M</b> = 27																							
<b>Configuration:</b>		<b>Standard</b>		<b>Option /B</b>																			
<b>71 =</b>		<b>73 =</b>																					
<b>Spool type, regulating characteristics:</b>																							
<b>L</b> = linear						<b>S</b> = progressive						<b>D</b> = differential-progressive											
																		P-A = Q, B-T = Q/2 P-B = Q/2, A-T = Q					
<b>DL</b> = differential-linear						<b>Q</b> = for P/Q controls (1)																	
												P-A = Q, B-T = Q/2 P-B = Q/2, A-T = Q											
<b>Hydraulic options (2):</b>																							
<b>B</b> = main stage position transducer at side of port A (3)																							
<b>C</b> = current feedback for position transducer 4÷20 mA																							
<b>D</b> = internal drain																							
<b>E</b> = external pilot pressure																							
<b>G</b> = pressure reducing valve for piloting (standard for size 10)																							
<b>Solenoid and transducers threaded connection</b> for cable gland fitting: <b>GK</b> = GK-1/2" <b>M</b> = M20x1,5 <b>NPT</b> = 1/2" NPT																							
<b>Spool size:</b>												<b>3</b> (L,S,D)			<b>5</b> (L,DL,S,D,Q)								
DPZA-1 =															100								
DPZA-2 =												130			200								
DPZA-4 =															340								
DPZA-4M =															390								
Nominal flow (l/min) at Δp 10bar P-T																							

(1) Spool type Q is available only with configuration 73 and 73/B

(2) Possible combined options: all combinations are possible

(3) In standard configuration the main stage LVDT transducer is at side of port B, and the pilot solenoid with position transducer are at side A of main stage

## 2 OFF-BOARD ELECTRONIC DRIVERS

Electronic drivers are factory set with max current limitation for ex-proof valves.  
Please include in the driver order also the complete code of the connected ex-proof proportional valve.

Drivers model	E-BM-LEB-* /A	E-BM-LES-* /A
Type	digital	digital
Format	DIN-rail panel	
Data sheet	GS230	GS240

## 3 GENERAL CHARACTERISTICS

Assembly position	Any position
Subplate surface finishing to ISO 4401	Acceptable roughness index, Ra ≤0,8 recommended Ra 0,4 - flatness ratio 0,01/100
MTTFd valves according to EN ISO 13849	75 years, see technical table P007
Ambient temperature range	<b>Standard</b> = -20°C ÷ +60°C <b>/PE</b> option = -20°C ÷ +60°C <b>/BT</b> option = -40°C ÷ +60°C
Storage temperature range	<b>Standard</b> = -20°C ÷ +70°C <b>/PE</b> option = -20°C ÷ +70°C <b>/BT</b> option = -40°C ÷ +70°C
Surface protection	Zinc coating with black passivation - salt spray test (EN ISO 9227) > 200 h
Compliance	Explosion proof protection, see section [7] -Flame proof enclosure "Ex d" -Dust ignition protection by enclosure "Ex t" RoHs Directive 2011/65/EU as last update by 2015/863/EU REACH Regulation (EC) n°1907/2006

## 4 HYDRAULIC CHARACTERISTICS - based on mineral oil ISO VG 46 at 50°C

Valve model	<b>DPZA*-1</b>	<b>DPZA*-2</b>	<b>DPZA*-4</b>	<b>DPZA*-4M</b>		
Pressure limits [bar]	ports <b>P, A, B, X</b> = 350; <b>T</b> = 250 (10 for option /D); <b>Y</b> = 10;					
Spool type	<b>L5, DL5, S5, D5, Q5</b>	<b>L3, S3, D3</b>	<b>L5, DL5, S5, D5, Q5</b>			
Nominal flow [l/min]						
Δp P-T	Δp = 10 bar	100	130	200	340	390
	Δp = 30 bar	160	220	350	590	670
	Max permissible flow	180	320	440	680	800
Δp max P-T [bar]	50	60	60	60	60	
Piloting pressure [bar]	min. = 25; max = 350 (option /G advisable for pilot pressure > 150 bar)					
Piloting volume [cm³]	1,4	3,7	9,0	11,3		
Piloting flow (1) [l/min]	1,7	3,7	6,8	8		
Leakage (2)	Pilot [cm³/min]	100/300	100/300	200/500	200/600	
	Main stage [l/min]	0,15/0,5	0,2/0,6	0,3/1,0	0,3/1,0	
Response time (1) [ms]	≤ 55	≤ 65	≤ 85	≤ 90		
Hysteresis	≤ 0,1 [% of max regulation]					
Repeatability	± 0,1 [% of max regulation]					
Thermal drift	zero point displacement < 1% at ΔT = 40°C					

(1) 0 ÷ 100% step signal and pilot pressure 100 bar

(2) at P = 100/350 bar

## 5 ELECTRICAL CHARACTERISTICS

Max. power	35W
Insulation class	H (180°) Due to the occurring surface temperatures of the solenoid coils, the European standards ISO 13732-1 and EN982 must be taken into account
Protection degree	IP66/67 to DIN EN60529 with relevant cable gland
Duty factor	Continuous rating (ED=100%)
Voltage code	standard
Coil resistance R at 20°C	3,2 W
Max. solenoid current	2,5 A

## 6 SEALS AND HYDRAULIC FLUIDS - for other fluids not included in below table, consult our technical office

Seals, recommended fluid temperature	NBR seals (standard) = -20°C ÷ +60°C, with HFC hydraulic fluids = -20°C ÷ +50°C FKM seals (/PE option) = -20°C ÷ +80°C HNBR seals (/BT option) = -40°C ÷ +60°C, with HFC hydraulic fluids = -40°C ÷ +50°C		
Recommended viscosity	20 ÷ 100 mm²/s - max allowed range 15 ÷ 380 mm²/s		
Max fluid contamination level	normal operation	ISO4406 class 18/16/13 NAS1638 class 7	see also filter section at www.atos.com or KTF catalog
	longer life	ISO4406 class 16/14/11 NAS1638 class 5	
<b>Hydraulic fluid</b>	<b>Suitable seals type</b>	<b>Classification</b>	<b>Ref. Standard</b>
Mineral oils	NBR, FKM, HNBR	HL, HLP, HLPD, HVLP, HVLDP	DIN 51524
Flame resistant without water	FKM	HFDU, HFDR	ISO 12922
Flame resistant with water (1)	NBR, HNBR	HFC	

⚠ The ignition temperature of the hydraulic fluid must be 50°C higher than the max solenoid surface temperature

### (1) Performance limitations in case of flame resistant fluids with water:

-max operating pressure = 210 bar -max fluid temperature = 50°C



The loss of the pilot pressure causes the undefined position of the main poppet.  
The sudden interruption of the power supply during the valve operation causes the immediate shut-off of the main poppet.  
This could cause pressure surges in the hydraulic system or high decelerations which may lead to machine damages.

**7 CERTIFICATION DATA**

Valve type	DPZA		DPZA/M
Certifications	Multicertification Group II <b>ATEX IECEx EAC CCC</b>		Multicertification Group I <b>ATEX IECEx</b>
Solenoid and LVDT transducer certified code (pilot stage)	<b>OZA-T</b>		<b>OZAM-T</b>
Type examination certificate (1)	ATEX: CESI 02 ATEX 014 IECEX: IECEX CES 10.0010x EAC:RU C - IT.AX38.B.00425/21 CCC:2020322307003240		ATEX: CESI 03 ATEX 057x IECEX: IECEX CES 12.0007x
Method of protection	<ul style="list-style-type: none"> <li>• ATEX: Ex II 2G Ex db IIC T4/T3 Gb Ex II 2D Ex tb IIIC T135°C/T200°C Db</li> <li>• IECEX: Ex db IIC T4/T3 Gb Ex tb IIIC T135°C/T200°C Db</li> <li>• EAC: 1Ex d IIC T4/T3 Gb X Ex tb IIIC T135°C/T200°C Db X</li> <li>• CCC : Ex d IIC T4/T3 Gb Ex tD A21 IP66/IP67 T135°C/T200°C</li> </ul>		<ul style="list-style-type: none"> <li>• ATEX: Ex I M2 Ex db I Mb</li> <li>• IECEX: Ex db I Mb</li> </ul>
LVDT transducer certified code (main stage)	<b>ETHA-4/*</b>		<b>ETHAM-4/*</b>
Type examination certificate (1)	ATEX: CESI 02 ATEX 015X / 06 IECEX: IECEX CES 12.006X EAC:RU C - IT.AX38.B.00425/21 CCC:2021322315003690		ATEX: CESI 03 ATEX 057x IECEX: IECEX CES 12.0007x
Method of protection	<ul style="list-style-type: none"> <li>• ATEX: Ex II 2G Ex db IIC T6/T5/T4 Gb Ex II 2D Ex tb IIIC T85°C/T100°C/135°C Db</li> <li>• IECEX: Ex db IIC T6/T5/T4 Gb Ex tb IIIC T85°C/T100°C/135°C Db</li> <li>• EAC: 1Ex d IIC T4/T3 Gb X Ex tb IIIC T135°C/T200°C Db X</li> <li>• CCC: Ex d IIC T6/T5/T4 Gb Ex tD A21 IP66/IP67 T85°C/T135°C/T200°C</li> </ul>		<ul style="list-style-type: none"> <li>• ATEX: Ex I M2 Ex db I Mb</li> <li>• IECEX: Ex db I Mb</li> </ul>
Temperature class	<b>T4</b>	<b>T3</b>	-
Surface temperature	≤ 135°C	≤ 200°C	≤ 150°C
Ambient temperature (2)	-40 ÷ +40°C	-40 ÷ +70°C	-20 ÷ +60°C
Applicable standards	EN 60079-0; EN 60079-1; EN 60079-31	IEC 60079-0; IEC 60079-1; IEC 60079-31	
Cable entrance: threaded connection	<b>GK = GK-1/2" M = M20x1,5 NPT = 1/2" NPT</b>		

(1) The type examiner certificates can be downloaded from [www.atos.com](http://www.atos.com)

(2) In case the complete valve must withstand with minimum ambient temperature of -40°C, select **/BT** in the model code

**⚠ WARNING: service work performed on the valve by the end users or not qualified personnel invalidates the certification**

**8 EX PROOF SOLENOIDS AND LVDT TRANSDUCER WIRING**

**Pilot valve solenoid and LVDT transducer**

n°8 M4x20  
locking torque 4Nm

① solenoid cover with threaded connection for cable gland fitting  
② transducer cover with threaded connection for cable gland fitting  
③ solenoid terminal board for cables wiring  
④ transducer terminal board for cables wiring  
⑤ screw terminal for additional equipotential grounding

**Solenoid wiring**

	1 = Coil	PCB 3 poles terminal board suitable for wires cross sections up to 2,5 mm² (max AWG14)
	2 = GND	
	3 = Coil	

**LVDT main stage transducer**

n°4 M4  
locking torque 4Nm

① cover with threaded connection for vertical cable gland fitting  
② terminal board for cables wiring  
③ screw terminal for additional equipotential grounding

**Position transducer wiring**

	1 = Output signal	PCB 4 poles terminal board suitable for wires cross sections up to 2,5 mm² (max AWG14)
	2 = Supply -15 V	
	3 = Supply +15 V	
	4 = GND	

**9 CABLE SPECIFICATION AND TEMPERATURE** - Power supply and grounding cables have to comply with following characteristics:

<b>Multicertification Group I and Group II</b>	
<b>Power supply:</b> section of coil connection wires = 2,5 mm <sup>2</sup>	<b>Grounding:</b> section of internal ground wire = 2,5 mm <sup>2</sup> section of external ground wire = 4 mm <sup>2</sup>

**9.1 Cable temperature**

The cable must be suitable for the working temperature as specified in the "safety instructions" delivered with the first supply of the products.

**SOLENOID - Multicertification**

Max ambient temperature [°C]	Temperature class		Max surface temperature [°C]		Min. cable temperature [°C]	
	Group I	Group II	Group I	Group II	Group I	Group II
40°C	-	T4	150°C	135°C	90°C	90°C
45°C	-	T4	-	135°C	-	95°C
55°C	-	T3	-	200°C	-	110°C
60°C	-	-	150°C	-	110°C	-
70°C	N.A.	T3	N.A.	200°C	N.A.	120°C

**TRANSDUCER - Multicertification**

Max ambient temperature [°C]	Temperature class		Max surface temperature [°C]		Min. cable temperature [°C]	
	Group I	Group II	Group I	Group II	Group I	Group II
40°C	N.A.	T6	150°C	85°C	-	-
70°C	N.A.	T6	150°C	85°C	90°C	90°C

**10 CABLE GLANDS**

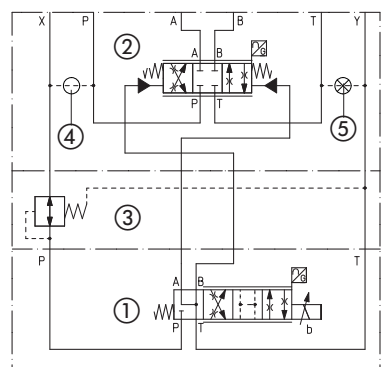
Cable glands with threaded connections GK-1/2", 1/2"NPT or M20x1,5 for standard or armoured cables have to be ordered separately, see tech. table **KX800**

**Note:** a Loctite sealant type 545, should be used on the cable gland entry threads

**11 HYDRAULIC OPTIONS**

- B** = Solenoid and position transducer at side of port B of the main stage.
- C** = Option /C is available to connect pressure (force) transducers with 4 ÷ 20 mA current output signal, instead of the standard ±10 Vdc. Input signal can be reconfigured via software selecting between voltage and current, within a maximum range of ±10 Vdc or ±20 mA.
- D and E** = Pilot and drain configuration can be modified as shown in section 13. The valve's standard configuration provides internal pilot and external drain. For different pilot / drain configuration select:
  - Option /D Internal drain.
  - Option /E External pilot (through port X).
- G** = Pressure reducing valve installed between pilot valve and main body with fixed setting:
  - DPZA-2 = 28 bar
  - DPZA-1, -4 and -4M = 40 bar
 It is advisable for valves with internal pilot in case of system pressure higher than 150 bar. Pressure reducing valve is standard for DPZA-1, for other sizes add /G option.

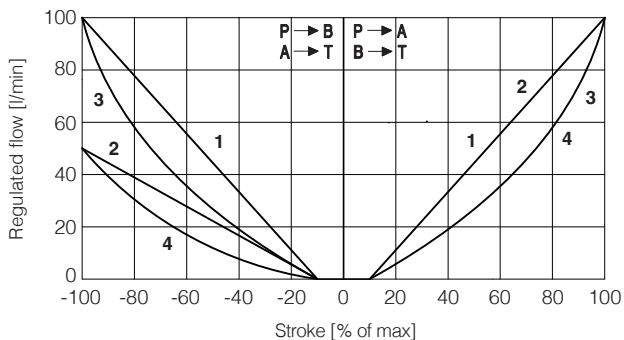
**FUNCTIONAL SCHEME** - example of configuration 71



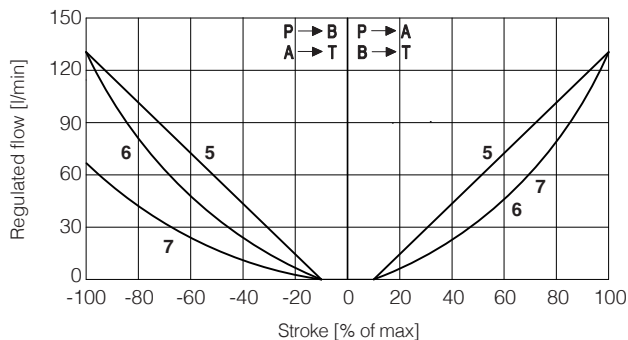
- ① Pilot valve
- ② Main stage
- ③ Pressure reducing valve
- ④ Plug to be added for external pilot trough port X
- ⑤ Plug to be removed for internal drain through port T

**16 DIAGRAMS** (based on mineral oil ISO VG 46 at 50°C)

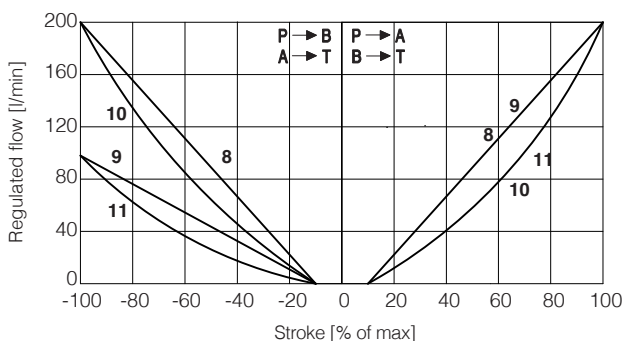
**16.1 Regulation diagrams** (values measure at  $\Delta p$  10 bar P-T)



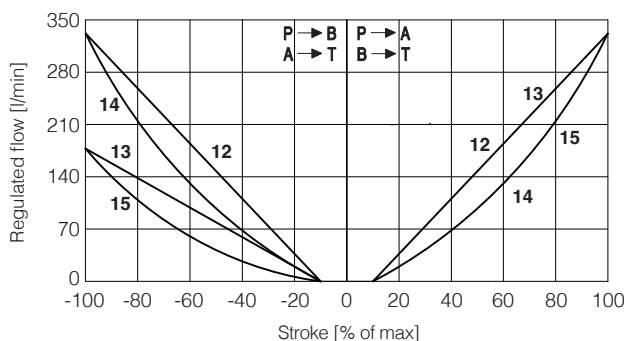
**DPZA-1:**  
 1=L5    2=DL5  
 3=S5    4=D5



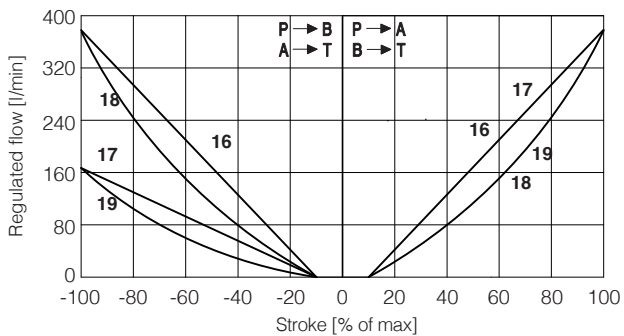
**DPZA-2:**  
 5=L3    6=S3  
 7=D3



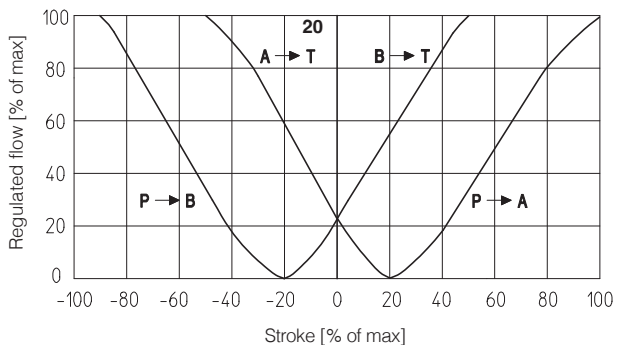
**DPZA-2:**  
 8=L5    9=DL5  
 10=S5    11=D5



**DPZA-4:**  
 12=L5    13=DL5  
 14=S5    15=D5



**DPZA-4M:**  
 16=L5    17=DL5  
 18=S5    19=D5



**20 = Q5**

**Note:** Hydraulic configuration vs. reference signal (standard and option /B)

Reference signal  $\left. \begin{matrix} 0 \div +10 \text{ V} \\ 12 \div 20 \text{ mA} \end{matrix} \right\} P \rightarrow A / B \rightarrow T$

Reference signal  $\left. \begin{matrix} 0 \div -10 \text{ V} \\ 12 \div 4 \text{ mA} \end{matrix} \right\} P \rightarrow B / A \rightarrow T$

**20 = linear spool Q5**

Q5 spool type is specific for alternate P/Q controls in combination with off board drivers E-BM-\*/S option, (see tech. table **GS240** and **FX500**).

It allows to control the pressure in A port or B port and it provides a safety central position (A-T/B-T) to depressurize the actuator chambers.

The strong meter-in characteristic makes the spool suitable for both pressure control and motion regulations in several applications.

### 13 PLUGS LOCATION FOR PILOT/DRAIN CHANNELS

Depending on the position of internal plugs, different pilot/drain configurations can be obtained as shown below.  
To modify the pilot/drain configuration, proper plugs must only be interchanged. The plugs have to be sealed using loctite 270.  
Standard valves configuration provides internal pilot and external drain

DPZA-1	Pilot channels	Drain channels	<p><b>Internal piloting:</b> blinded plug SP-X300F ① in X;  <b>External piloting:</b> blinded plug SP-X300F ② in Pp;  <b>Internal drain:</b> blinded plug SP-X300F ③ in Y;  <b>External drain:</b> blinded plug SP-X300F ④ in Dr.</p>
DPZA-2	Pilot channels	Drain channels	<p><b>Internal piloting:</b> Without blinded plug SP-X300F ①;  <b>External piloting:</b> Add blinded plug SP-X300F ①;  <b>Internal drain:</b> Without blinded plug SP-X300F ②;  <b>External drain:</b> Add blinded plug SP-X300F ②.</p>
DPZA-4 DPZA-4M	Pilot channels	Drain channels	<p><b>Internal piloting:</b> Without blinded plug SP-X500F ①;  <b>External piloting:</b> Add blinded plug SP-X500F ①;  <b>Internal drain:</b> Without blinded plug SP-X300F ②;  <b>External drain:</b> Add blinded plug SP-X300F ②.</p>

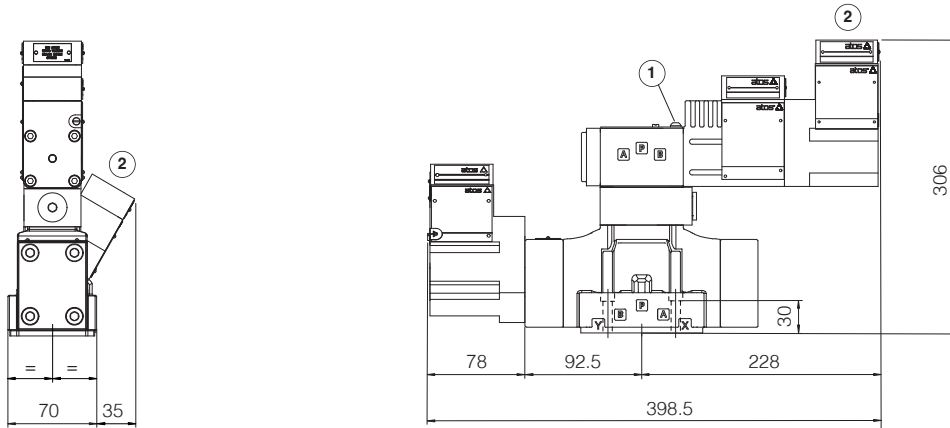
### 14 FASTENING BOLTS AND SEALS

Type	Size	Fastening bolts	Seals
DPZA	1 = 10	4 socket head screws M6x40 class 12.9 Tightening torque = 15 Nm	5 OR 2050; Diameter of ports A, B, P, T: Ø 11 mm (max) 2 OR 108 Diameter of ports X, Y: Ø = 7 mm (max)
	2 = 16	4 socket head screws M10x50 class 12.9 Tightening torque = 70 Nm 2 socket head screws M6x45 class 12.9 Tightening torque = 15 Nm	4 OR 130; Diameter of ports A, B, P, T: Ø 20 mm (max) 2 OR 2043 Diameter of ports X, Y: Ø = 9 mm (max)
	4 = 25	6 socket head screws M12x60 class 12.9 Tightening torque = 125 Nm	4 OR 4112; Diameter of ports A, B, P, T: Ø 25 mm (max) 2 OR 3056 Diameter of ports X, Y: Ø = 11,5 mm (max)
	4M = 27	6 socket head screws M12x60 class 12.9 Tightening torque = 125 Nm	4 OR 3137; Diameter of ports A, B, P, T: Ø 34 mm (max) 2 OR 3056 Diameter of ports X, Y: Ø = 7 mm (max)

## DPZA-L-\*-1

ISO 4401: 2005  
 Mounting surface: 4401-05-05-0-05  
 (see table P005)

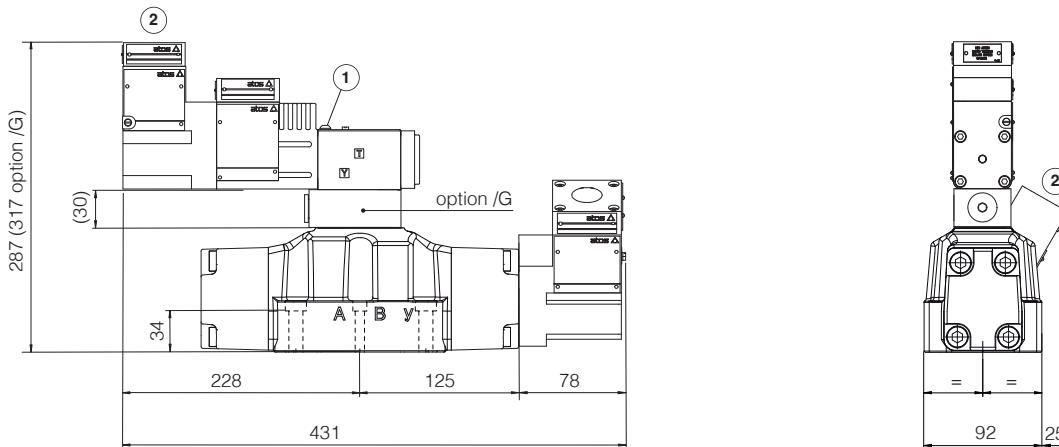
Mass [kg]	
DPZA-*-17*	9,7



## DPZA-L-\*-2

ISO 4401: 2005  
 Mounting surface: 4401-07-07-0-05  
 (see table P005)

Mass [kg]	
DPZA-*-27*	13
Option /G	+0,9



① = Air bleed off

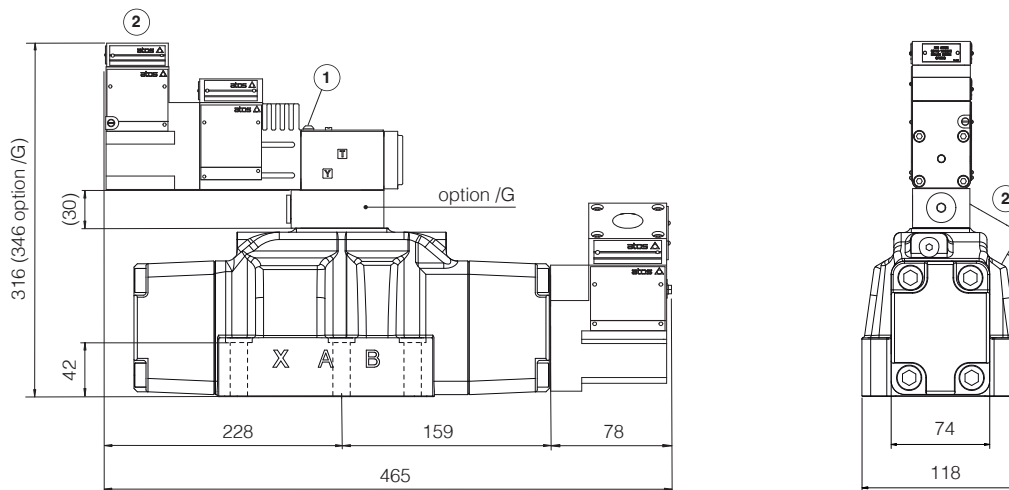
② = The dimensions of cable glands must be considered (see tech table **KX800**)

# DPZA-L-\*-4 DPZA-L-\*-4M

ISO 4401 : 2005

Mounting surface: 4401-08-08-0-05  
(see table P005)

Mass [kg]	
DPZA-*-4*	18,2
DPZA-*-4M*	18,2
Option /G	+0,9



① = Air bleed off

② = The dimensions of cable glands must be considered (see tech table **KX800**)

## 16 RELATED DOCUMENTATION

<b>X010</b>	Basics for electrohydraulics in hazardous environments
<b>X020</b>	Summary of Atos ex-proof components certified to ATEX, IECEX, EAC, PESO, CCC
<b>FX900</b>	Operating and maintenance information for ex-proof proportional valves
<b>KX800</b>	Cable glands for ex-proof valves
<b>P005</b>	Mounting surfaces for electrohydraulic valves