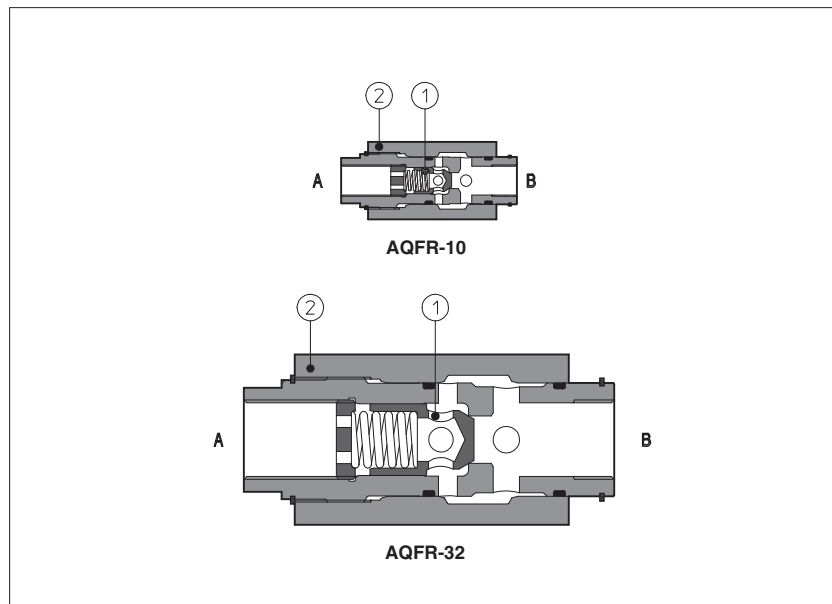


Flow restrictor valves type AQFR

in-line mounting - from G 3/8" to G 1 1/4" threaded ports



AQFR are not compensated flow throttling valves with a built-in check valve ① to allow the free flow in the opposite direction.

The flow adjustment is done by turning the external exagon ②. Clockwise rotation increases the throttling (reduced passage). The regulated flow is a function of the pressure drop existing between the inlet and outlet ports.

They are available in five sizes: from 3/8" to 1 1/4" GAS with flow up 30, 50, 80, 160, 250 l/min respectively and pressure up to 400/350 bar (depending on size).

Max flow: **250 l/min**
Max pressure: **400 bar**

1 MODEL CODE

AQF	R	-	10
Throttling valve in-line mounting			
R = with check valve for free reverse flow			
Size and ports dimensions:			
10 = G 3/8"	15 = G 1/2"	20 = G 3/4"	25 = G 1" 32 = G 1 1/4"

**	/	*
Seals material, see section 3:		
- = NBR		
PE = FKM		
BT = HNBR		
Series number		

2 HYDRAULIC CHARACTERISTICS

Hydraulic symbol					
Valve model	AQFR-10	AQFR-15	AQFR-20	AQFR-25	AQFR-32
Max recommended flow [l/min]	30	50	80	160	250
Max pressure [bar]	400	350			

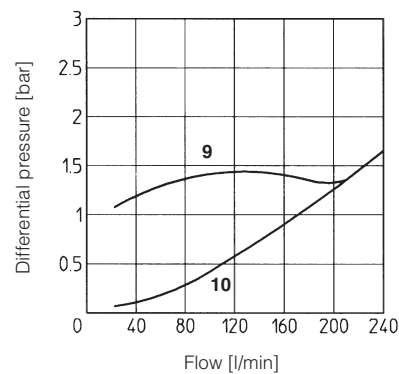
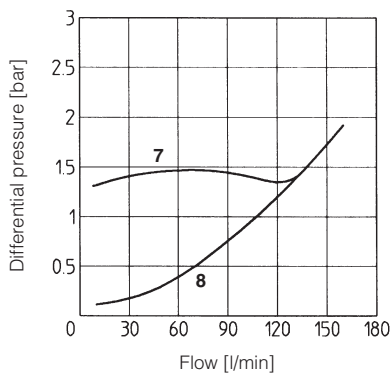
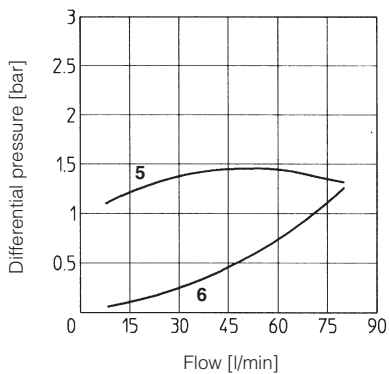
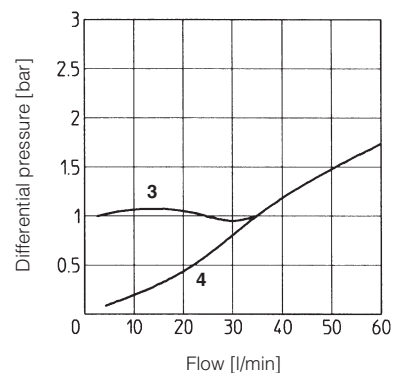
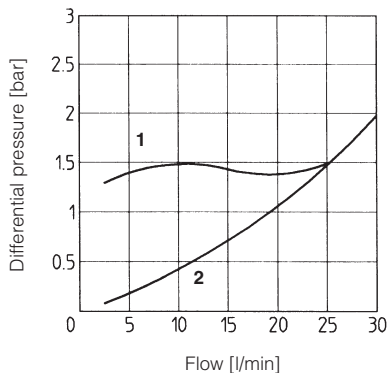
3 MAIN CHARACTERISTICS, SEALS AND FLUIDS - for other fluids not included in below table, consult our technical office

Assembly position	Any position		
Compliance	RoHS Directive 2011/65/EU as last update by 2015/65/EU REACH Regulation (EC) n°1907/2006		
Ambient temperature	Standard execution = -30°C ÷ +70°C; /PE option = -20°C ÷ +70°C; /BT option = -40°C ÷ +70°C		
Seals, recommended fluid temperature	NBR seals (standard) = -20°C ÷ +80°C, with HFC hydraulic fluids = -20°C ÷ +50°C FKM seals (/PE option) = -20°C ÷ +80°C HNBR seals (/BT option) = -40°C ÷ +60°C, with HFC hydraulic fluids = -40°C ÷ +50°C		
Recommended viscosity	15 ÷ 100 mm²/s - max allowed range 2,8 ÷ 500 mm²/s		
Max fluid contamination level	ISO4406 class 20/18/15 NAS1638 class 9, see also filter section at www.atos.com or KTF catalog		
Hydraulic fluid	Suitable seals type	Classification	Ref. Standard
Mineral oils	NBR, FKM, HNBR	HL, HLP, HLPD, HVLP, HVLPD	DIN 51524
Flame resistant without water	FKM	HFDU, HFDR	ISO 12922
Flame resistant with water	NBR, HNBR	HFC	

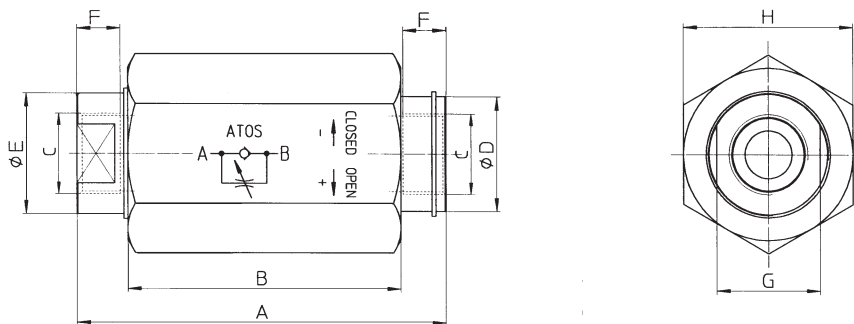
4 DIAGRAMS based on mineral oil ISO VG 46 at 50°C

4.1 Q/Δp diagram through the chec valve for free flow B→A with the throttle valve fully open and fully closed

- 1 = AQFR-10 fully closed
- 2 = AQFR-10 fully open
- 3 = AQFR-15 fully closed
- 4 = AQFR-15 fully open
- 5 = AQFR-20 fully closed
- 6 = AQFR-20 fully open
- 7 = AQFR-25 fully closed
- 8 = AQFR-25 fully open
- 9 = AQFR-32 fully closed
- 10 = AQFR-32 fully open



5 DIMENSIONS [mm]



Valve model	A	B	C	ØD	ØE	F	G	H	Mass [Kg]
AQFR-10	93	68	G 3/8"	28	25	13	24	41	0,7
AQFR-15	105	78	G 1/2"	32	30	15	27	46	1
AQFR-20	127	95,5	G 3/4"	36	34	17	32	55	1,6
AQFR-25	153	112	G 1"	48	45	19	42	75	3,5
AQFR-32	196	145	G 1 1/4"	63	60	21	55	90	6,5