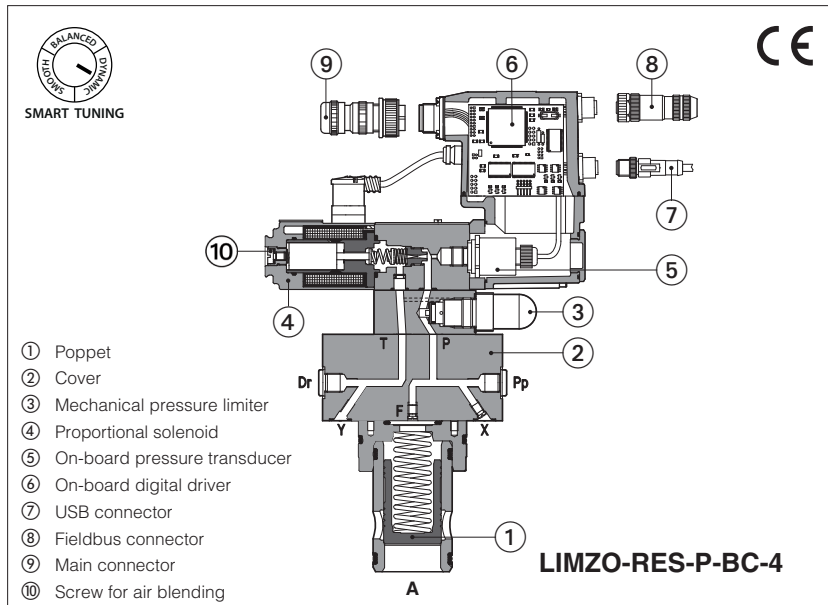


# Digital proportional pressure cartridges high performance

piloted, with on-board pressure transducer - compensator, relief, reducing functions



## LICZO, LIMZO, LIRZO

2-way digital proportional cartridges with on-board pressure transducer, respectively performing: pressure compensator, relief and reducing closed loop functions.

**R** to be coupled with off-board drivers.

**REB** basic execution, with on-board digital driver, analog reference signals and USB port for software functional parameters setting.

**RES** full execution, with on-board digital driver which includes also fieldbus interface for functional parameters setting, reference signals and real-time diagnostics.

Size: **16 ÷ 80** - ISO 7368

Max flow: up to **4500 l/min**

Max pressure: **350 bar**

### 1 MODEL CODE OF COVERS

<b>LIMZO</b>	-	<b>RES</b>	-	<b>P</b>	-	<b>BC</b>	-	<b>4</b>	/	<b>315</b>	/	<b>*</b>	/	<b>*</b>	/	<b>*</b>
<p>Proportional pressure cartridges, piloted  <b>LICZO</b> = pressure compensator  <b>LIMZO</b> = pressure relief  <b>LIRZO</b> = pressure reducing</p> <p><b>R</b> = for off-board driver, see section 5  <b>REB</b> = basic on-board digital driver (1)  <b>RES</b> = full on-board digital driver (2)</p> <p><b>P</b> = with integral pressure transducer</p> <p><b>Fieldbus interfaces</b> USB port always present (3):  <b>NP</b> = Not present  <b>BC</b> = CANopen  <b>BP</b> = PROFIBUS DP  <b>EH</b> = EtherCAT</p> <p><b>Valve size</b> ISO 7368:  <b>1</b> = 16  <b>2</b> = 25  <b>3</b> = 32  <b>4</b> = 40  <b>5</b> = 50 (not for LIRZO)  <b>6</b> = 63 (only for LIMZO)  <b>8</b> = 80 (only for LIMZO)</p>													<p><b>Seals material</b>, see section 13:  - = NBR  <b>PE</b> = FKM  <b>BT</b> = NBR low temp.</p> <p>Series number</p>			
<p><b>Hydraulic options (4):</b>  <b>P</b> = with on-board mechanical pressure limiter (standard for size 1, 2 and 3)</p> <p><b>Electronics options, only for REB and RES (4):</b>  <b>I</b> = current reference input and monitor 4 ÷ 20 mA (omit for std voltage 0 ÷ 10 Vdc)  <b>Q</b> = enable signal  <b>Z</b> = double power supply, enable, fault and monitor signals - 12 pin connector</p>													<p><b>Max regulated pressure:</b>  <b>100</b> = 100 bar  <b>210</b> = 210 bar  <b>315</b> = 315 bar  <b>350</b> = 350 bar</p>			

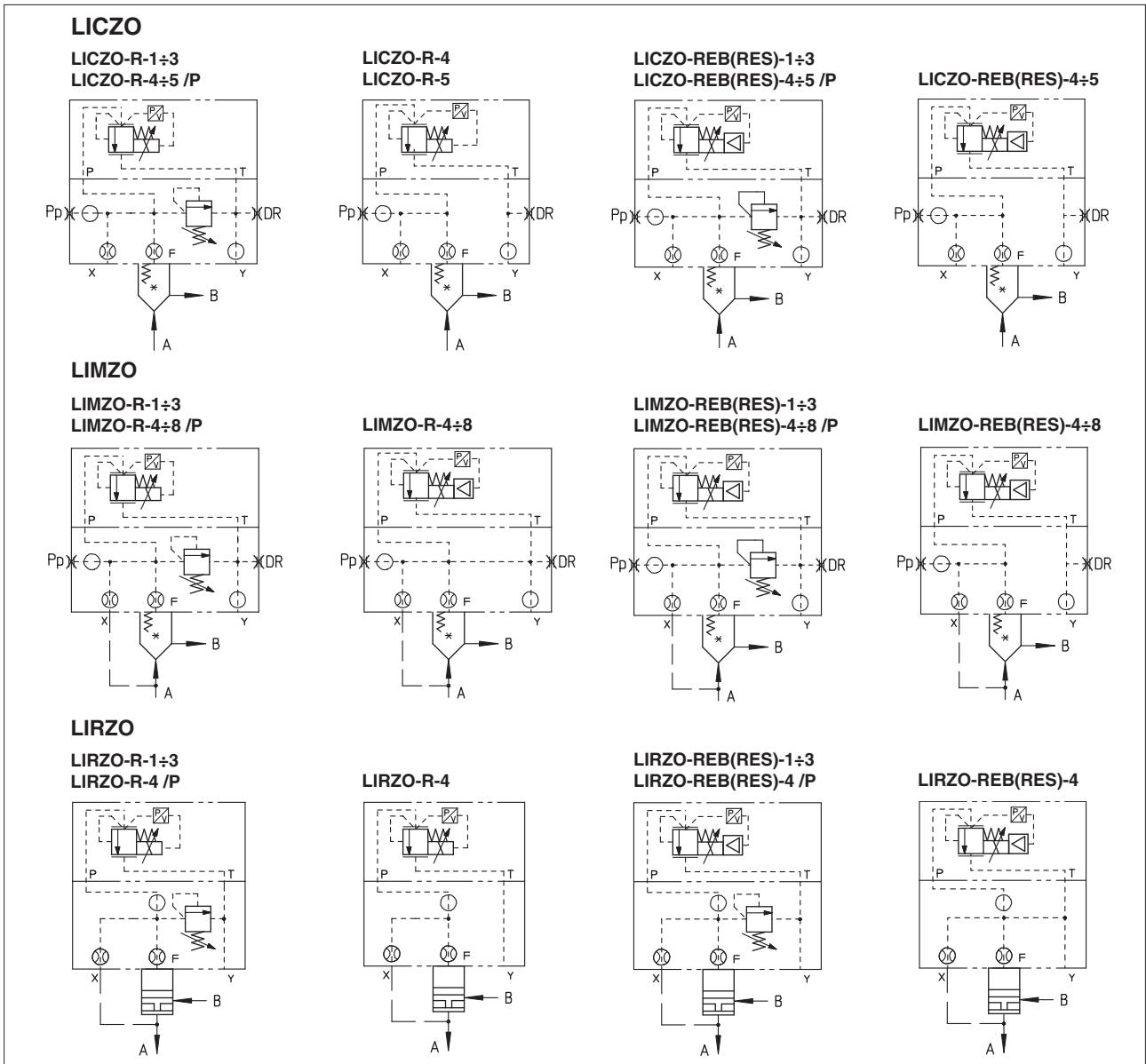
(1) Only for **NP**

(2) Only for **BC, BP, EH**

(3) Omit for **R** execution

(4) For possible combined options, see section 17

**2 HYDRAULIC SYMBOLS**



**3 MODEL CODE OF CARTRIDGES**

<b>SC LI</b>	-	<b>32</b>	<b>31</b>	<b>2</b>	*	/	*
Cartridge according to ISO 7368				Series number		Seals material, see section 12:	
Cartridge size ISO 7368: 16; 25; 32; 40; 50; 63; 80						- = NBR PE = FKM BT = NBR low temperature	
Type of poppet: 31 = for LIMZO and LICZO 36 = for LICZO 37 = for LIRZO				Spring cracking pressure: 2 = 1,5 bar for poppet 31 3 = 3 bar for poppet 31 and 36 4 = 4 bar only for poppet 37		6 = 6 bar for poppet 31 and 36 7 = 7 bar for poppet 37 (only for size 16, 25, 32)	

**4 TYPE OF POPPET**

Type of poppet	<b>31</b>	<b>36</b>	<b>37</b>
Functional sketch (Hydraulic symbol)			
Typical section			
Area ratio A: AP	<b>1:1</b>	<b>1:1</b>	<b>1:1</b>

## 5 OFF-BOARD ELECTRONIC DRIVER - only for R

Drivers model	E-BM-RES
Type	Digital
Format	DIN rail panel format
Tech table	GS203

## 6 GENERAL NOTES

Atos digital proportional valves are CE marked according to the applicable directives (e.g. Immunity and Emission EMC Directive). Installation, wirings and start-up procedures must be performed according to the general prescriptions shown in tech table **FS900** and in the user manuals included in the E-SW-\* programming software.

## 7 VALVE SETTINGS AND PROGRAMMING TOOLS

Valve's functional parameters and configurations, can be easily set and optimized using Atos E-SW programming software connected via USB port to the digital driver.

For fieldbus versions, the software permits valve's parameterization through USB port also if the driver is connected to the central machine unit via fieldbus.

The software is available in different versions according to the driver's options (see table **GS500**):

**E-SW-BASIC** support: NP (USB) PS (Serial) IR (Infrared)

**E-SW-FIELDBUS** support: BC (CANopen) BP (PROFIBUS DP) EH (EtherCAT)

EW (POWERLINK) EI (EtherNet/IP) EP (PROFINET)

**E-SW-\*PQ** support: valves with SP, SF, SL alternated control (e.g. E-SW-BASIC/PQ)

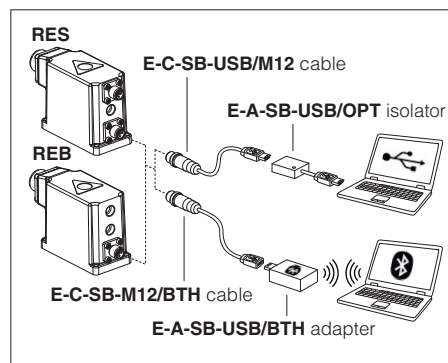


**WARNING: drivers USB port is not isolated!** For E-C-SB-USB/M12 cable, the use of isolator adapter is highly recommended for PC protection



**WARNING:** see tech table **GS500** for the list of countries where the Bluetooth adapter has been approved

### USB or Bluetooth connection



## 8 SMART TUNING

Smart tuning allows to adjust the valve dynamic response in order to match different hydraulic conditions and performance requirements.

The valve is provided with 3 factory settings for the pressure control:

- **dynamic** fast response time for best dynamic performances. Default factory setting for pressure valves

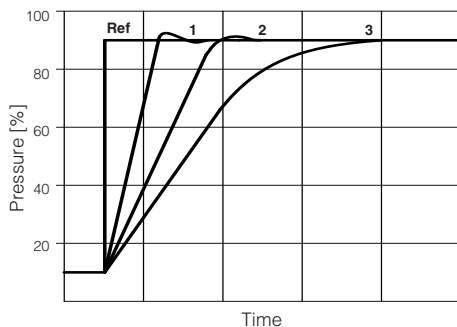
- **balanced** average response time suitable for major applications

- **smooth** attenuated response time for slow regulation without overshoots

Smart tuning setting can be switched from Dynamic (default) to Balanced or Smooth via software or fieldbus; if requested, performances can be further customized directly tuning each single control parameter. For details consult related manuals E-MAN-RI-\* and Quickstart, see section **25**.

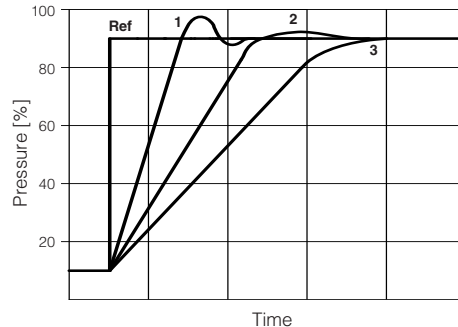
Below indications have to be considered as a general guideline, being affected by hydraulic circuit stiffness, working flow and dead volume.

**High stiffness - Low flow - Small volume**



1 = dynamic  
2 = balanced  
3 = smooth

**Low stiffness - High flow - Large volume**



1 = dynamic  
2 = balanced  
3 = smooth

## 9 FIELDBUS - only for RES, see tech. table GS510

Fieldbus allows valve direct communication with machine control unit for digital reference, valve diagnostics and settings. These execution allow to operate the valves through fieldbus or analog signals available on the main connector.

## 10 GENERAL CHARACTERISTICS

Assembly position	Any position
Subplate surface finishing to ISO 4401	Acceptable roughness index: Ra ≤ 0,8, recommended Ra 0,4 – Flatness ratio 0,01/100
MTTFd valves according to EN ISO 13849	75 years, see technical table P007
Ambient temperature range	<b>R:</b> Standard = -20°C ÷ +70°C /PE option = -20°C ÷ +70°C /BT option = -40°C ÷ +60°C <b>REB, RES:</b> Standard = -20°C ÷ +60°C /PE option = -20°C ÷ +60°C /BT option = -40°C ÷ +60°C
Storage temperature range	<b>R:</b> Standard = -20°C ÷ +80°C /PE option = -20°C ÷ +80°C /BT option = -40°C ÷ +70°C <b>REB, RES:</b> Standard = -20°C ÷ +70°C /PE option = -20°C ÷ +70°C /BT option = -40°C ÷ +70°C
Surface protection	Zinc coating with black passivation, galvanic treatment (driver housing for REB and RES)
Corrosion resistance	Salt spray test (EN ISO 9227) > 200 h
Compliance	CE according to EMC directive 2014/30/EU (Immunity: EN 61000-6-2; Emission: EN 61000-6-3) RoHS Directive 2011/65/EU as last update by 2015/863/EU REACH Regulation (EC) n°1907/2006

**11 HYDRAULIC CHARACTERISTICS** - based on mineral oil ISO VG 46 at 50 °C

Valve model	LICZO					LIMZO								LIRZO			
	1	2	3	4	5	1	2	3	4	5	6	8	1	2	3	4	
Valve size																	
Max flow [l/min]	200	400	750	1000	2000	200	400	750	1000	2000	3000	4500	160	300	550	800	
Min regulated pres. at port A [bar]	9	8,5	8	13	15	7	7	7	10,5	12	12	12	7				
Min regulated pres. at port A for /350 [bar]	11	10	10	13	16	10	10	9	12	13	13	16	12				
Max regulated pres. at port A [bar]	100; 210; 315; 350					100; 210; 315; 350								100; 210; 315; 350			
Response time 0-100% step signal (depending on installation) <b>(1)</b> [ms]	80 ÷ 300					80 ÷ 350								80 ÷ 200			
Hysteresis [% of the regulated max flow]													≤ 0,5				
Linearity [% of the regulated max flow]													≤ 1,0				
Repeatability [% of the regulated max flow]													≤ 0,2				
Thermal drift	zero point displacement < 1% at ΔT = 40°C																

**Note:** above performance data refer to valves coupled with Atos electronic drivers, see section **5**

**(1)** Average response time value; the pressure variation in consequence of a modification of the reference input signal to the valve is affected by the stiffness of the hydraulic circuit: greater is the stiffness of the circuit, faster is the dynamic response, see section **8**.

**12 ELECTRICAL CHARACTERISTICS**

Power supplies	Nominal : +24 VDC Rectified and filtered : VRMS = 20 ÷ 32 VMAX (ripple max 10 % VPP)			
Max power consumption	<b>R</b> = 30 W <b>REB, RES</b> = 50 W			
Max. solenoid current	2,6 A			
Coil resistance R at 20°C	3 ÷ 3,3 Ω			
Analog input signals	Voltage: range ±10 VDC (24 VMAX tollerant) Current: range ±20 mA		Input impedance: Ri > 50 kΩ Input impedance: Ri = 500 Ω	
Monitor output	Voltage: maximum range 0 ÷ 10 VDC @ max 5 mA Current: maximum range 0 ÷ 20 mA @ max 500 Ω load resistance			
Enable input	Range: 0 ÷ 9 VDC (OFF state), 15 ÷ 24 VDC (ON state), 9 ÷ 15 VDC (not accepted); Input impedance: Ri > 87 kΩ			
Fault output	Output range : 0 ÷ 24 VDC (ON state ≅ VL+ [logic power supply] ; OFF state ≅ 0 V) @ max 50 mA; external negative voltage not allowed (e.g. due to inductive loads)			
Pressure transducer <b>(1)</b>	E-ATR-8/*/I Output signal: 4 ÷ 20 mA (see tech table <b>GS465</b> )			
Alarms	Solenoid not connected/short circuit, cable break with current reference signal, over/under temperature, current control monitoring, power supplies level, pressure transducer failure			
Insulation class	H (180°) Due to the occurring surface temperatures of the solenoid coils, the European standards ISO 13732-1 and EN982 must be taken into account			
Protection degree to DIN EN60529	<b>R</b> = IP65; <b>REB, RES</b> = IP66 / IP67 with mating connectors			
Duty factor	Continuous rating (ED=100%)			
Tropicalization	Tropical coating on electronics PCB			
Additional characteristics	Short circuit protection of solenoid's current supply; current control by P.I.D. with rapid solenoid switching; protection against reverse polarity of power supply			
Communication interface	USB Atos ASCII coding	CANopen EN50325-4 + DS408	PROFIBUS DP EN50170-2/IEC61158	EtherCAT EC 61158
Communication physical layer	not insulated USB 2.0 + USB OTG	optical insulated CAN ISO 11898	optical insulated RS485	Fast Ethernet, insulated 100 Base TX
Recommended wiring cable	LiYCY shielded cables, see section <b>21</b>			

**(1)** In case of pressure transducer failure, the valve's reaction can be configured through Atos E-SW software to:  
 - cut off the current to solenoid, therefore the regulated pressure will be reduced to minimum value (default setting)  
 - automatically switch the pressure control from closed loop (dynamic, balanced, smooth) to open loop, to let the valve to temporarily operate with reduced regulation accuracy

**Note:** a maximum time of 500 ms (depending on communication type) have be considered between the driver energizing with the 24 V<sub>DC</sub> power supply and when the valve is ready to operate. During this time the current to the valve coils is switched to zero.

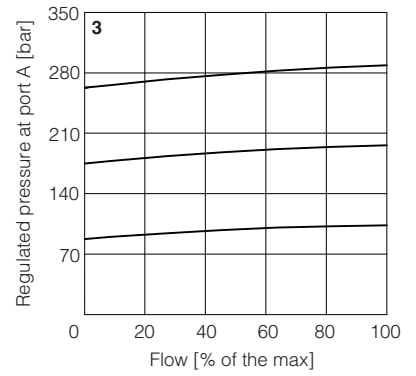
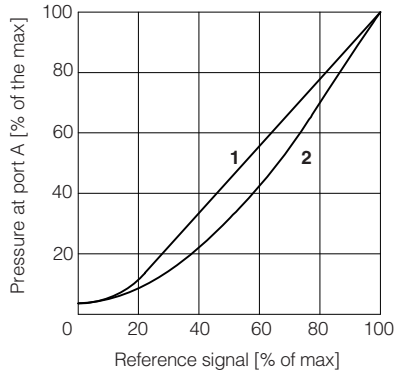
**13 SEALS AND HYDRAULIC FLUIDS** - for other fluids not included in below table, consult our technical office

Seals, recommended fluid temperature	NBR seals (standard) = -20°C ÷ +60°C (+80°C for <b>R</b> ), with HFC hydraulic fluids = -20°C ÷ +50°C FKM seals (/PE option) = -20°C ÷ +80°C NBR low temp. seals (/BT option) = -40°C ÷ +60°C, with HFC hydraulic fluids = -40°C ÷ +50°C		
Recommended viscosity	20 ÷ 100 mm <sup>2</sup> /s - max allowed range 15 ÷ 380 mm <sup>2</sup> /s		
Max fluid contamination level	normal operation	ISO4406 class 18/16/13 NAS1638 class 7	see also filter section at
	longer life	ISO4406 class 16/14/11 NAS1638 class 5	www.atos.com or KTF catalog
<b>Hydraulic fluid</b>	<b>Suitable seals type</b>	<b>Classification</b>	<b>Ref. Standard</b>
Mineral oils	NBR, FKM, NBR low temp.	HL, HLP, HLPD, HVLP, HVLDP	DIN 51524
Flame resistant without water	FKM	HF DU, HF DR	ISO 12922
Flame resistant with water	NBR, NBR low temp.	HFC	

**14 DIAGRAMS** (based on mineral oil ISO VG 46 at 50 °C)

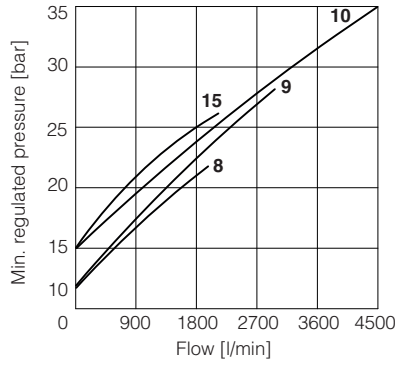
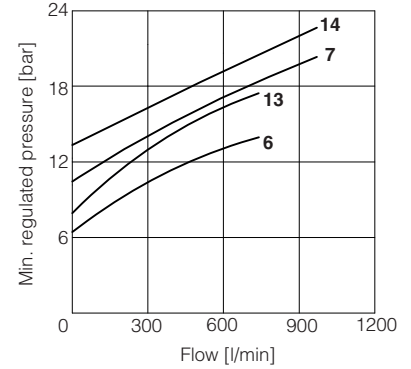
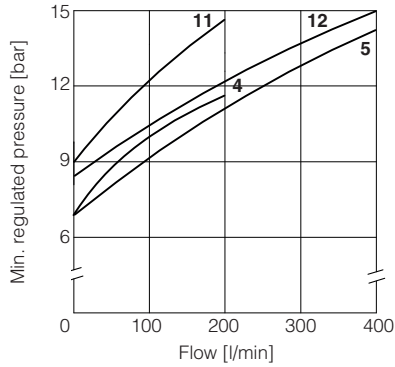
- 1 Regulation diagrams LIMZO**
- 2 Regulation diagrams LICZO**

- 3 Pressure/flow diagrams LICZO, LIMZO**



**4-14 Min. pressure/flow diagrams**  
with zero reference signal

- 4 = LIMZO\*-1      11 = LICZO\*-1**
- 5 = LIMZO\*-2      12 = LICZO\*-2**
- 6 = LIMZO\*-3      13 = LICZO\*-3**
- 7 = LIMZO\*-4      14 = LICZO\*-4**
- 8 = LIMZO\*-5      15 = LICZO\*-5**
- 9 = LIMZO\*-6**
- 10 = LIMZO\*-8**

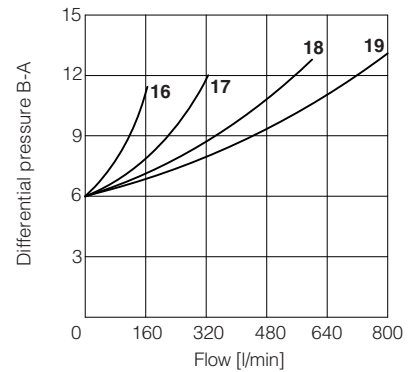
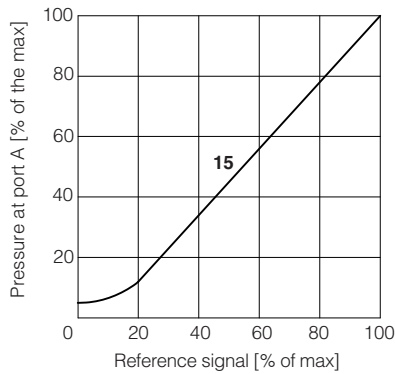


**Regulation diagrams LIRZO**

- 15 = LIRZO-A**

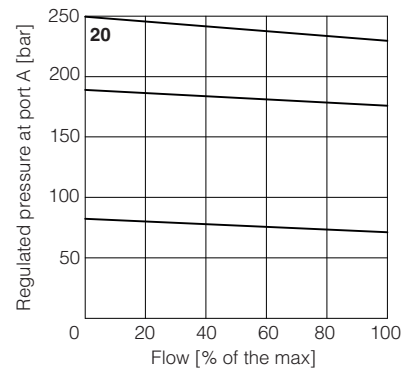
**16-19 Min. pressure/flow diagrams**  
with reference signal "null"

- 16 = LIRZO\*-1**
- 17 = LIRZO\*-2**
- 18 = LIRZO\*-3**
- 19 = LIRZO\*-4**



**Pressure/flow diagrams**

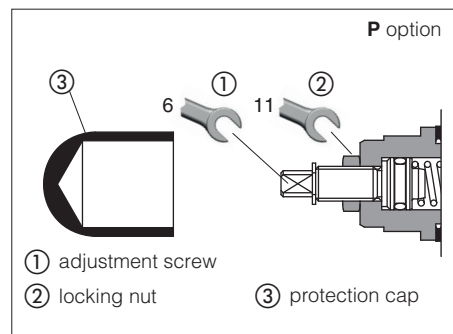
- 20 = LIRZO-A**



## 15 HYDRAULIC OPTIONS

**P** = This option (standard for size 1, 2 and 3) provides a mechanical pressure limiter acting as protection against overpressure. For safety reasons the factory setting of the mechanical pressure limiter is fully unloaded (min pressure).  
At the first commissioning it must be set at a value lightly higher than the max pressure regulated with the proportional control.  
For the pressure setting of the mechanical pressure limiter, proceed according to following steps:

- apply the max reference input signal to the valve's driver. The system pressure will not increase until the mechanical pressure limiter remains unloaded
- turn clockwise the adjustment screw ① until the system pressure will increase up to a stable value corresponding to the pressure setpoint at max reference input signal
- turn clockwise the adjustment screw ① of additional 1 or 2 turns to ensure that the mechanical pressure limiter remains closed during the proportional valve working



## 16 ELECTRONIC OPTIONS - only for REB and RES

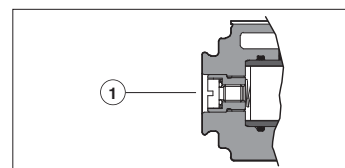
- I** = This option provides  $4 \div 20$  mA current reference and monitor signals, instead of the standard  $0 \div 10$  VDC. Input signal can be reconfigured via software selecting between voltage and current, within a maximum range of  $\pm 10$  VDC or  $\pm 20$  mA. It is normally used in case of long distance between the machine control unit and the valve or where the reference signal can be affected by electrical noise; the valve functioning is disabled in case of reference signal cable breakage.
- Q** = This option permits to inhibit the valve function without removing the power supply to the driver. Upon disable command the current to the solenoid is zeroed and the valve's spool moves to rest position.  
The option /Q is suggested for all cases where the valve has to be frequently inhibited during the machine cycle – see 19.5 for signal specifications.
- Z** = This option provides, on the 12 pin main connector, the following additional features:  
**Fault output signal** - see 19.6  
**Enable input signal** - see above option /Q  
**Power supply for driver's logics and communication** - see 19.2

## 17 POSSIBLE COMBINED OPTIONS

**Hydraulic options:** all combination possible;      **Electronics options:** /IQ, /IZ

## 18 AIR BLEEDING

At the first valve commissioning the air eventually trapped inside the solenoid must be bled-off through the screw ① located at the rear side of the solenoid housing.  
The presence of air may cause pressure instability and vibrations.



## 19 POWER SUPPLY AND SIGNALS SPECIFICATIONS - only for REB and RES

Generic electrical output signals of the valve (e.g. fault or monitor signals) must not be directly used to activate safety functions, like to switch-ON/OFF the machine's safety components, as prescribed by the European standards (Safety requirements of fluid technology systems and components-hydraulics, ISO 4413).

### 19.1 Power supply (V+ and V0)

The power supply must be appropriately stabilized or rectified and filtered: apply at least a  $10000 \mu\text{F}/40$  V capacitance to single phase rectifiers or a  $4700 \mu\text{F}/40$  V capacitance to three phase rectifiers. In case of separate power supply see 19.2.



A safety fuse is required in series to each power supply: 2,5 A time lag fuse.

### 19.2 Power supply for driver's logic and communication (VL+ and VL0) - only for /Z option

The power supply for driver's logic and communication must be appropriately stabilized or rectified and filtered: apply at least a  $10000 \mu\text{F}/40$  V capacitance to single phase rectifiers or a  $4700 \mu\text{F}/40$  V capacitance to three phase rectifiers.  
The separate power supply for driver's logic on pin 9 and 10, allow to remove solenoid power supply from pin 1 and 2 maintaining active the diagnostics, USB and fieldbus communications.



A safety fuse is required in series to each driver's logic and communication power supply: 500 mA fast fuse.

### 19.3 Pressure reference input signal (P\_INPUT+)

The driver controls in closed loop the current to the valve pressure proportionally to the external reference input signal.  
Reference input signal is factory preset according to selected valve code, defaults are  $0 \div 10$  VDC for standard and  $4 \div 20$  mA for /I option.  
Input signal can be reconfigured via software selecting between voltage and current, within a maximum range of  $\pm 10$  VDC or  $\pm 20$  mA.  
Drivers with fieldbus interface (BC, BP, EH) can be software set to receive reference signal directly by the machine control unit (fieldbus reference).

Analog reference input signal can be used as on-off commands with input range  $0 \div 24$  VDC.

### 19.4 Pressure monitor output signal (P\_MONITOR)

The driver generates an analog output signal proportional to the actual pressure of the valve; the monitor output signal can be software set to show other signals available in the driver (e.g. analog reference, fieldbus reference).  
Monitor output signal is factory preset according to selected valve code, defaults settings are  $0 \div 10$  Vdc for standard and  $4 \div 20$  mA for /I option.  
Output signal can be reconfigured via software selecting between voltage and current, within a maximum range of  $0 \div 10$  Vdc or  $0 \div 20$  mA.

### 19.5 Enable input signal (ENABLE) - not for standard

To enable the driver, supply a 24 Vdc on pin 3 (pin C): Enable input signal allows to enable/disable the current supply to the solenoid, without removing the electrical power supply to the driver; it is used to activate the communication and the other driver functions when the valve must be disabled for safety reasons. This condition **does not comply** with norms IEC 61508 and ISO 13849.  
Enable input signal can be used as generic digital input by software selection.

### 19.6 Fault output signal (FAULT) - only for /Z option

Fault output signal indicates fault conditions of the driver (solenoid short circuits/not connected, reference signal broken for  $4 \div 20$  mA input, etc.).  
Fault presence corresponds to 0 VDC, normal working corresponds to 24 VDC. Fault status is not affected by the Enable input signal.

## 20 ELECTRONIC CONNECTIONS

### 20.1 Main connector signals - 7 pin (A1) Standard and /Q option - for REB and RES

PIN	Standard	/Q	TECHNICAL SPECIFICATIONS	NOTES
A	V+		Power supply 24 Vdc	Input - power supply
B	V0		Power supply 0 Vdc	Gnd - power supply
C	AGND		Analog ground	Gnd - analog signal
		ENABLE	Enable (24 Vdc) or disable (0 Vdc) the driver, referred to V0	Input - on/off signal
D	P_INPUT+		Pressure reference input signal: $\pm 10$ Vdc / $\pm 20$ mA maximum range Defaults are 0 $\div$ 10 Vdc for standard and 4 $\div$ 20 mA for /I option	Input - analog signal <b>Software selectable</b>
E	INPUT-		Negative reference input signal for P_INPUT+	Input - analog signal
F	P_MONITOR referred to: AGND   V0		Pressure monitor output signal: 0 $\div$ 10 Vdc / 0 $\div$ 20 mA maximum range Defaults are 0 $\div$ 10 Vdc for standard and 4 $\div$ 20 mA for /I option	Output - analog signal <b>Software selectable</b>
G	EARTH		Internally connected to driver housing	

### 20.2 Main connector signals - 12 pin (A2) /Z option - for REB and RES

PIN	/Z	TECHNICAL SPECIFICATIONS	NOTES
1	V+	Power supply 24 Vdc	Input - power supply
2	V0	Power supply 0 Vdc	Gnd - power supply
3	ENABLE	Enable (24 Vdc) or disable (0 Vdc) the driver, referred to VL0	Input - on/off signal
4	P_INPUT+	Pressure reference input signal: $\pm 10$ Vdc / $\pm 20$ mA maximum range Defaults are 0 $\div$ 10 Vdc for standard and 4 $\div$ 20 mA for /I option	Input - analog signal <b>Software selectable</b>
5	INPUT-	Negative reference input signal for INPUT+	Input - analog signal
6	P_MONITOR	Pressure monitor output signal: 0 $\div$ 10 Vdc / 0 $\div$ 20 mA maximum range, referred to VL0 Defaults are 0 $\div$ 10 Vdc for standard and 4 $\div$ 20 mA for /I option	Output - analog signal <b>Software selectable</b>
7	NC	Do not connect	
8	NC	Do not connect	
9	VL+	Power supply 24 Vdc for driver's logic and communication	Input - power supply
10	VL0	Power supply 0 Vdc for driver's logic and communication	Gnd - power supply
11	FAULT	Fault (0 Vdc) or normal working (24 Vdc), referred to VL0	Output - on/off signal
PE	EARTH	Internally connected to driver housing	

**Note:** do not disconnect VL0 before VL+ when the driver is connected to PC USB port

### 20.3 Communication connectors - for REB (B) and RES (B) - (C)

(B) USB connector - M12 - 5 pin always present		
PIN	SIGNAL	TECHNICAL SPECIFICATION (1)
1	+5V_USB	Power supply
2	ID	Identification
3	GND_USB	Signal zero data line
4	D-	Data line -
5	D+	Data line +

(C1) BC fieldbus execution, connector - M12 - 5 pin (2)		
PIN	SIGNAL	TECHNICAL SPECIFICATION (1)
1	CAN_SHLD	Shield
2	NC	do not connect
3	CAN_GND	Signal zero data line
4	CAN_H	Bus line (high)
5	CAN_L	Bus line (low)

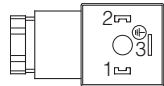
(C2) BP fieldbus execution, connector - M12 - 5 pin (2)		
PIN	SIGNAL	TECHNICAL SPECIFICATION (1)
1	+5V	Termination supply signal
2	LINE-A	Bus line (high)
3	DGND	Data line and termination signal zero
4	LINE-B	Bus line (low)
5	SHIELD	

(C3) (C4) EH fieldbus execution, connector - M12 - 4 pin (2)		
PIN	SIGNAL	TECHNICAL SPECIFICATION (1)
1	TX+	Transmitter
2	RX+	Receiver
3	TX-	Transmitter
4	RX-	Receiver
Housing	SHIELD	

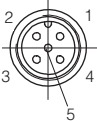
(1) Shield connection on connector's housing is recommended

(2) Only for RES execution

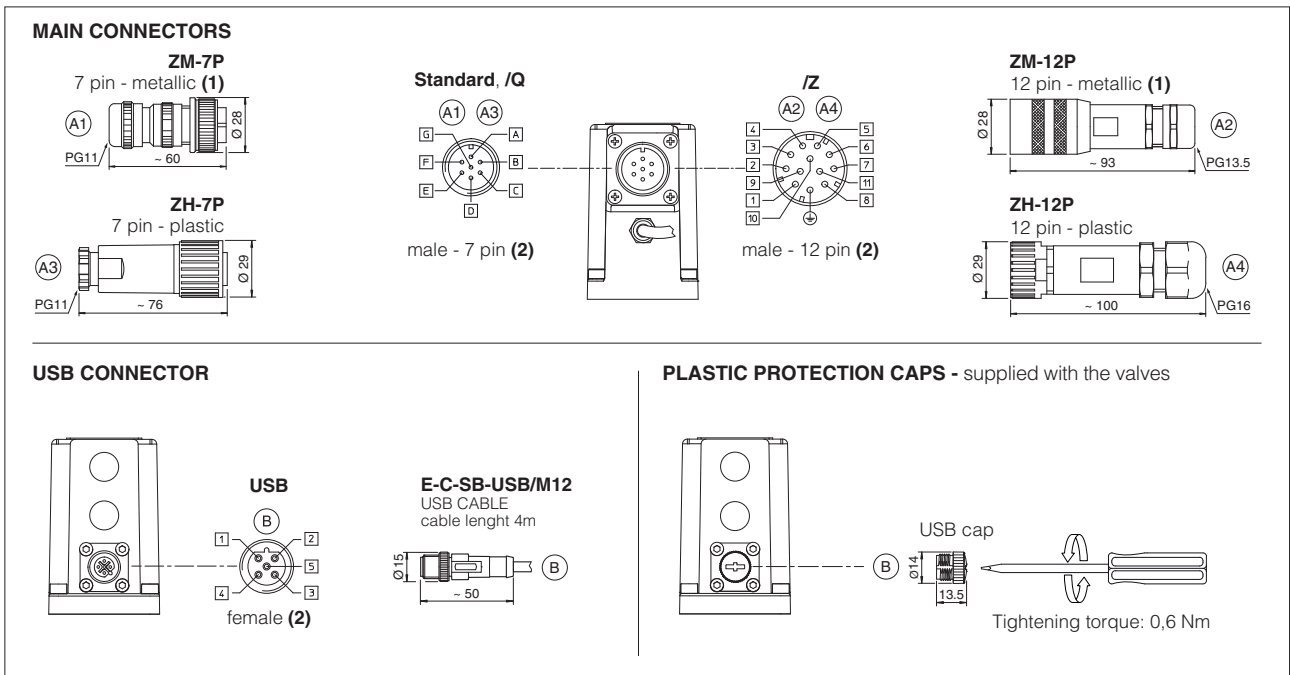
### 20.4 Solenoid connection - only for R

PIN	SIGNAL	TECHNICAL SPECIFICATION	Connector code 666
1	COIL	Power supply	
2	COIL	Power supply	
3	GND	Ground	

### 20.5 Pressure transducer connection - only for R

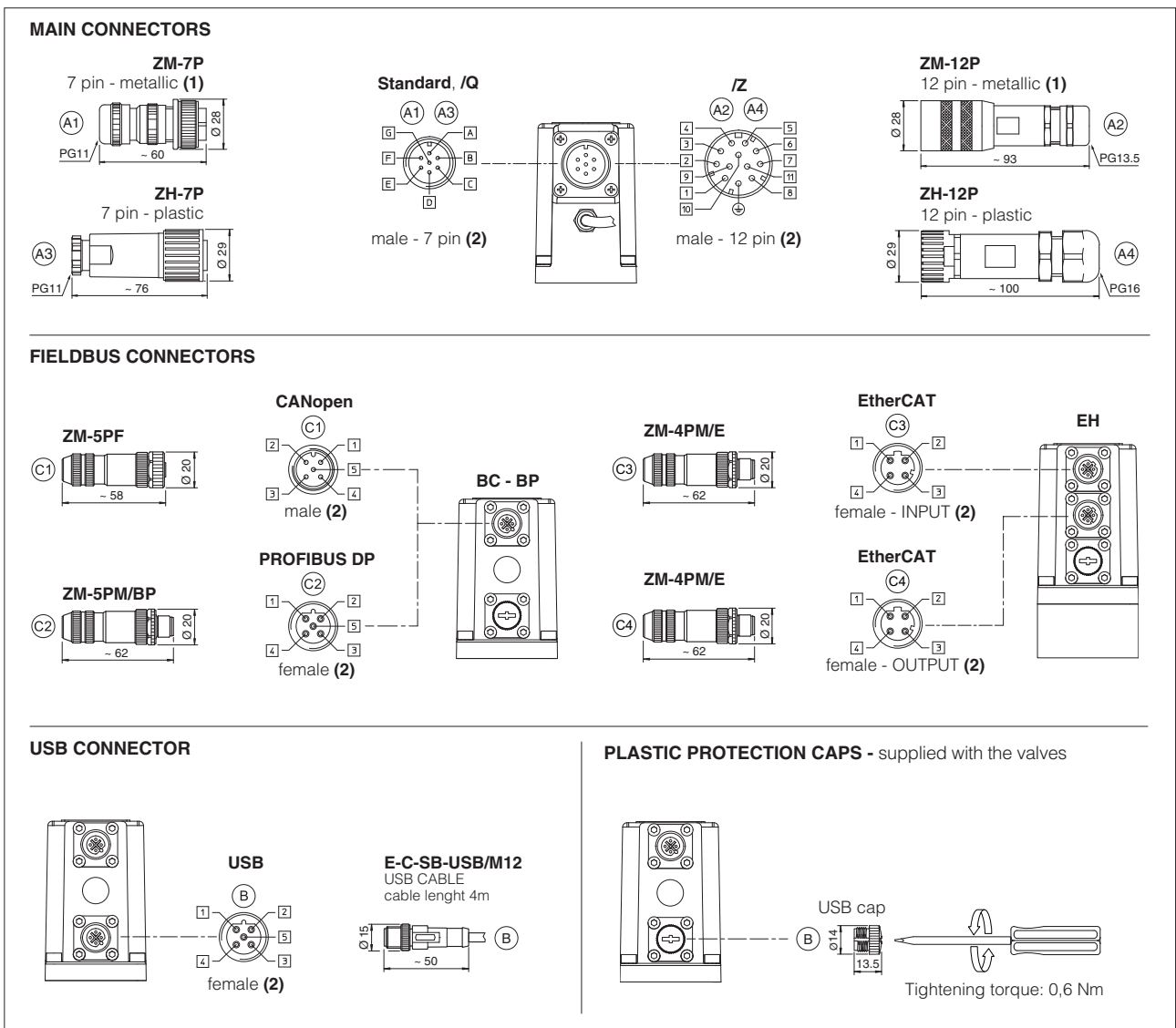
PIN	SIGNAL	TECHNICAL SPECIFICATION	Connector code ZBE-08
1	V+	Power supply	
2	NC	Not connected	
3	TR	Output signal 4 $\div$ 20 mA	
4	NC	Not connected	
5	NC	Not connected	

## 20.6 REB connections layout



(1) Use of metallic connectors is strongly recommended in order to fulfill EMC requirements (2) Pin layout always referred to driver's view

## 20.7 RES connections layout



(1) Use of metallic connectors is strongly recommended in order to fulfill EMC requirements (2) Pin layout always referred to driver's view



**21 CONNECTORS CHARACTERISTICS** - to be ordered separately

**21.1 Main connectors - 7 pin - for REB and RES**

CONNECTOR TYPE	POWER SUPPLY	POWER SUPPLY
<b>CODE</b>	(A1) <b>ZM-7P</b>	(A3) <b>ZH-7P</b>
Type	7pin female straight circular	7pin female straight circular
Standard	According to MIL-C-5015	According to MIL-C-5015
Material	Metallic	Plastic reinforced with fiber glass
Cable gland	PG11	PG11
Recommended cable	LiYCY 7 x 0,75 mm <sup>2</sup> max 20 m (logic and power supply) or LiYCY 7 x 1 mm <sup>2</sup> max 40 m (logic and power supply)	LiYCY 7 x 0,75 mm <sup>2</sup> max 20 m (logic and power supply) or LiYCY 7 x 1 mm <sup>2</sup> max 40 m (logic and power supply)
Conductor size	up to 1 mm <sup>2</sup> - available for 7 wires	up to 1 mm <sup>2</sup> - available for 7 wires
Connection type	to solder	to solder
Protection (EN 60529)	IP 67	IP 67

**21.2 Main connectors - 12 pin - for REB and RES**

CONNECTOR TYPE	POWER SUPPLY	POWER SUPPLY
<b>CODE</b>	(A2) <b>ZM-12P</b>	(A4) <b>ZH-12P</b>
Type	12pin female straight circular	12pin female straight circular
Standard	DIN 43651	DIN 43651
Material	Metallic	Plastic reinforced with fiber glass
Cable gland	PG13,5	PG16
Recommended cable	LiYCY 12 x 0,75 mm <sup>2</sup> max 20 m (logic and power supply)	LiYCY 10 x 0,14mm <sup>2</sup> max 40 m (logic) LiYY 3 x 1mm <sup>2</sup> max 40 m (power supply)
Conductor size	0,5 mm <sup>2</sup> to 1,5 mm <sup>2</sup> - available for 12 wires	0,14 mm <sup>2</sup> to 0,5 mm <sup>2</sup> - available for 9 wires 0,5 mm <sup>2</sup> to 1,5 mm <sup>2</sup> - available for 3 wires
Connection type	to crimp	to crimp
Protection (EN 60529)	IP 67	IP 67

**21.3 Fieldbus communication connectors - only for RES**

CONNECTOR TYPE	BC CANopen (1)		BP PROFIBUS DP (1)		EH EtherCAT (2)	
<b>CODE</b>	(C1) <b>ZM-5PF</b>	(C2) <b>ZM-5PM</b>	(C1) <b>ZM-5PF/BP</b>	(C2) <b>ZM-5PM/BP</b>	(C1) (C2) <b>ZM-4PM/E</b>	
Type	5 pin female straight circular	5 pin male straight circular	5 pin female straight circular	5 pin male straight circular	4 pin male straight circular	
Standard	M12 coding A – IEC 61076-2-101		M12 coding B – IEC 61076-2-101		M12 coding D – IEC 61076-2-101	
Material	Metallic		Metallic		Metallic	
Cable gland	Pressure nut - cable diameter 6÷8 mm		Pressure nut - cable diameter 6÷8 mm		Pressure nut - cable diameter 4÷8 mm	
Cable	CANbus Standard (DR 303-1)		PROFIBUS DP Standard		Ethernet standard CAT-5	
Connection type	screw terminal		screw terminal		terminal block	
Protection (EN 60529)	IP67		IP 67		IP 67	

(1) E-TRM-\*\* terminators can be ordered separately - see tech table **GS500**

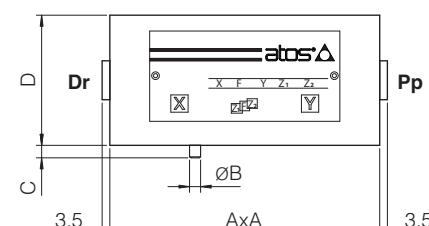
(2) Internally terminated

**22 FASTENING BOLTS AND SEALS**

Type	Size	Fastening bolts	Seals
<b>LIMZO LICZO LIRZO</b>	1 = 16	4 socket head screws M8x45 class 12.9 Tightening torque = 35 Nm	2 OR 108
	2 = 25	4 socket head screws M12x45 class 12.9 Tightening torque = 125 Nm	2 OR 108
	3 = 32	4 socket head screws M16x55 class 12.9 Tightening torque = 300 Nm	2 OR 2043
	4 = 40	4 socket head screws M20x70 class 12.9 Tightening torque = 600 Nm	2 OR 3043
<b>LIMZO LICZO</b>	5 = 50	4 socket head screws M20x80 class 12.9 Tightening torque = 600 Nm	2 OR 3043
<b>LIMZO</b>	6 = 63	4 socket head screws M30x90 class 12.9 Tightening torque = 2100 Nm	2 OR 3050
	8 = 80	8 socket head screws M24x90 class 12.9 Tightening torque = 1000 Nm	2 OR 4075

**23 COVERS DIMENSIONS [mm]**

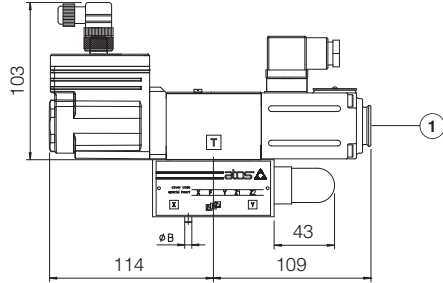
Size	AxA	ØB	C	D	Port Pp - Dr
1 = 16	65x80	3	4	40	-
2 = 25	85x85	5	6	40	-
3 = 32	100x100	5	6	50	-
4 = 40	125x125	5	6	60	G 1/4"
5 = 50	140x140	6	4	70	G 1/4"
6 = 63	180x180	6	4	80	G 3/8"
8 = 80	Ø250	8	6	80	G 3/8"



**Notes:**  
size 1 cover is not squared but rectangular, dimensions 65x80  
size 8 cover is not squared but circular, dimension Ø250

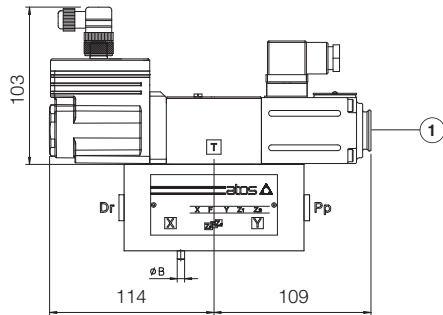
Version **R** for off-board driver

LICZO-R-1 LIMZO-R-1 LIRZO-R-1  
 LICZO-R-2 LIMZO-R-2 LIRZO-R-2  
 LICZO-R-3 LIMZO-R-3 LIRZO-R-3

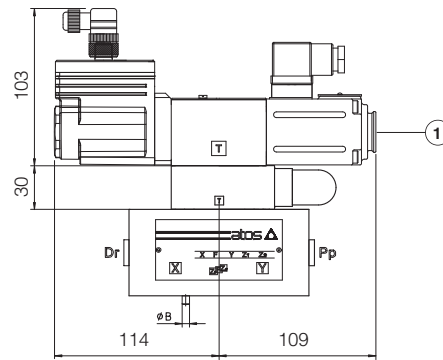


Mass [kg]			
LICZO, LIMZO, LIRZO			Cartridge
Size	Standard	Option /P	SC LI
1 = 16	3,8	-	0,2
2 = 25	4,3	-	0,5
3 = 32	5,6	-	0,9
4 = 40	11,0	12,0	1,7
5 = 50	14,5	15,5	2,9
6 = 63	24,0	25,0	6,7
8 = 80	32,6	33,6	13,1

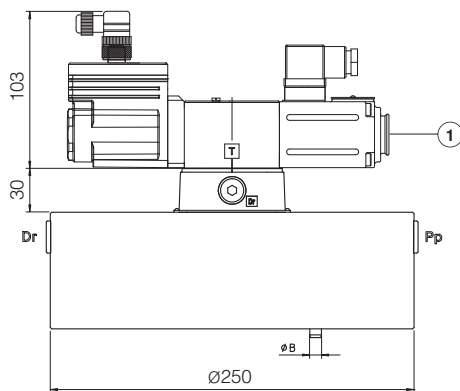
LICZO-R-4 LIMZO-R-4 LIRZO-R-4  
 LICZO-R-5 LIMZO-R-5  
 LIMZO-R-6



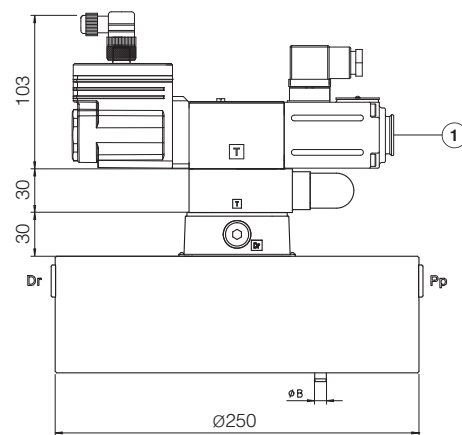
LICZO-R-4/P LIMZO-R-4/P LIRZO-R-4/P  
 LICZO-R-5/P LIMZO-R-5/P  
 LIMZO-R-6/P




LIMZO-R-8



LIMZO-R-8/P

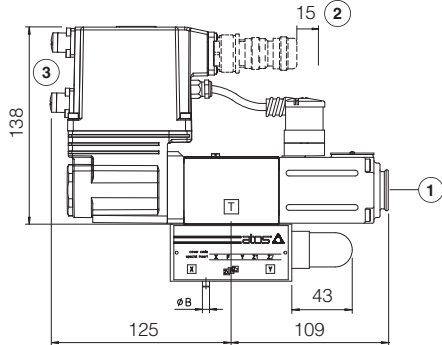


① = Air bleeding, see section 18 

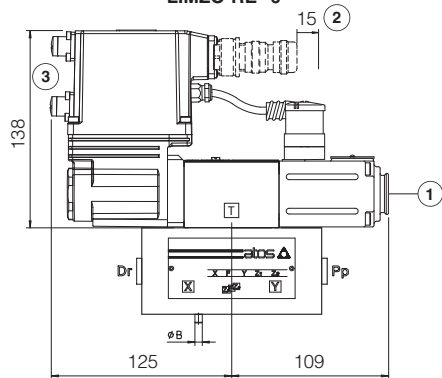
Note: for mounting surface and cavity dimensions, see tech. table P006

Versions **REB** and **RES** for on-board driver

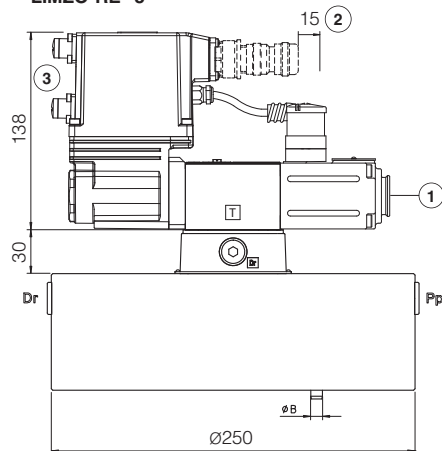
LICZO-RE\*-1 LIMZO-RE\*-1 LIRZO-RE\*-1  
 LICZO-RE\*-2 LIMZO-RE\*-2 LIRZO-RE\*-2  
 LICZO-RE\*-3 LIMZO-RE\*-3 LIRZO-RE\*-3



LICZO-RE\*-4 LIMZO-RE\*-4 LIRZO-RE\*-4  
 LICZO-RE\*-5 LIMZO-RE\*-5  
 LIMZO-RE\*-6

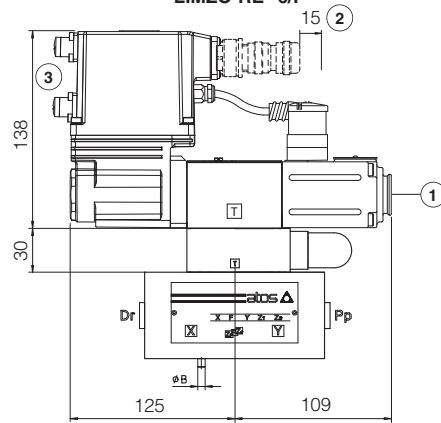


LIMZO-RE\*-8

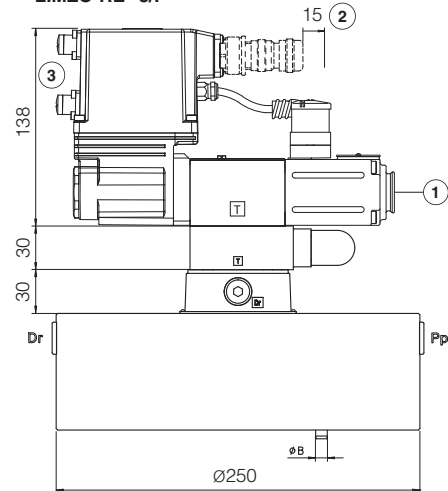



Mass [kg]			
LICZO, LIMZO, LIRZO			Cartridge
Size	Standard	Option /P	SC LI
1 = 16	4,3	-	0,2
2 = 25	4,8	-	0,5
3 = 32	6,1	-	0,9
4 = 40	11,5	12,5	1,7
5 = 50	15,0	16,0	2,9
6 = 63	24,5	25,5	6,7
8 = 80	33,1	34,1	13,1

LICZO-RE\*-4/P LIMZO-RE\*-4/P LIRZO-RE\*-4/P  
 LICZO-RE\*-5/P LIMZO-RE\*-5/P  
 LIMZO-RE\*-6/P



LIMZO-RE\*-8/P



① = Air bleeding, see section 18 

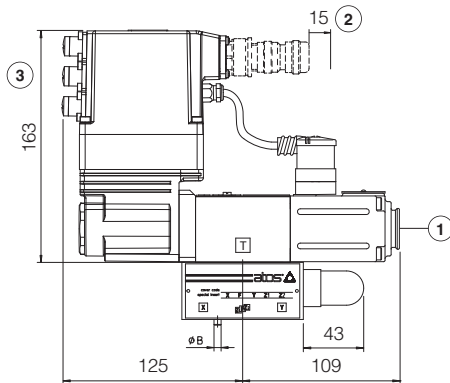
② = Space to remove the connectors

③ = The dimensions of all connectors must be considered, see section 20.6 and 20.7

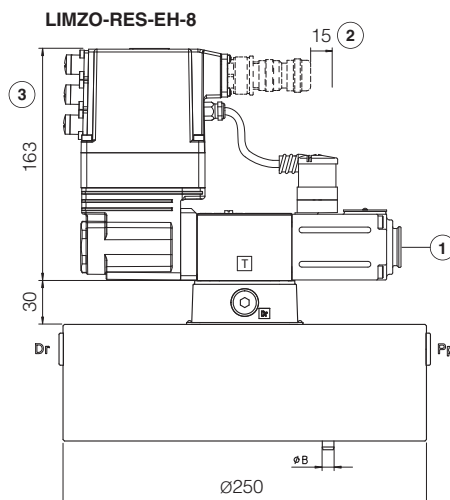
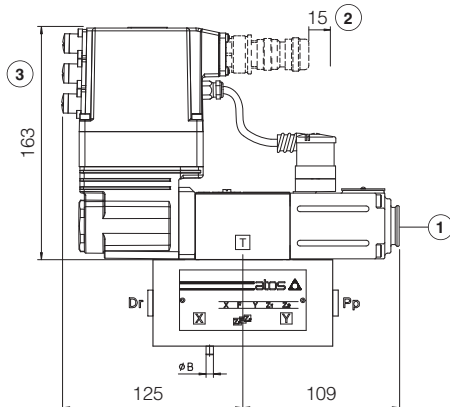
**Note:** for mounting surface and cavity dimensions, see tech. table P006

Version **RES-EH** for on-board driver

**LICZO-RES-EH-1 LIMZO-RES-EH-1 LIRZO-RES-EH-1**  
**LICZO-RES-EH-2 LIMZO-RES-EH-2 LIRZO-RES-EH-2**  
**LICZO-RES-EH-3 LIMZO-RES-EH-3 LIRZO-RES-EH-3**

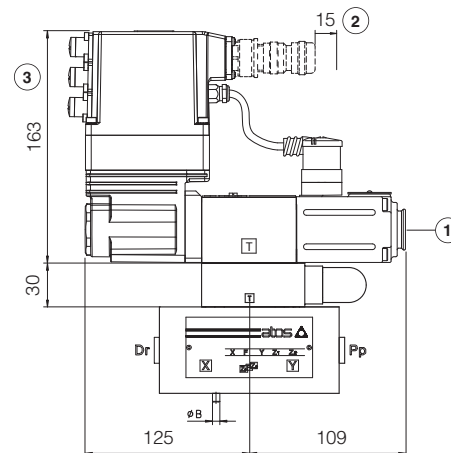


**LICZO-RES-EH-4 LIMZO-RES-EH-4 LIRZO-RES-EH-4**  
**LICZO-RES-EH-5 LIMZO-RES-EH-5**  
**LIMZO-RES-EH-6**

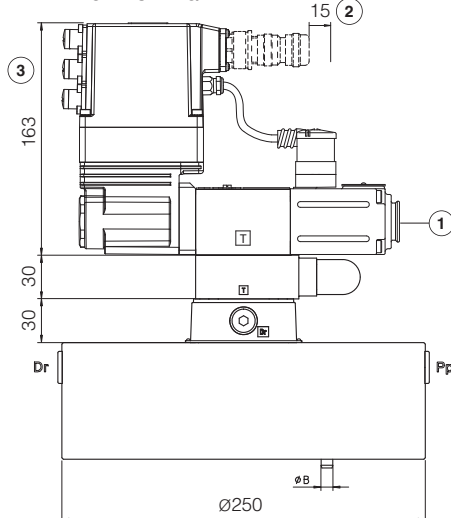


Mass [kg]			
LICZO, LIMZO, LIRZO			Cartridge
Size	Standard	Option /P	SC LI
1 = 16	4,4	-	0,2
2 = 25	4,9	-	0,5
3 = 32	6,2	-	0,9
4 = 40	11,6	12,6	1,7
5 = 50	15,1	16,1	2,9
6 = 63	24,6	25,6	6,7
8 = 80	33,2	34,2	13,1

**LICZO-RES-EH-4/P LIMZO-RES-EH-4/P LIRZO-RES-EH-4/P**  
**LICZO-RES-EH-5/P LIMZO-RES-EH-5/P**  
**LIMZO-RE\*-6/P**



**LIMZO-RES-EH-8/P**



- ① = Air bleeding, see section 18
- ② = Space to remove the connectors
- ③ = The dimensions of all connectors must be considered, see section 20.6 and 20.7

**Note:** for mounting surface and cavity dimensions, see tech. table P006

## 25 RELATED DOCUMENTATION

**FS001** Basics for digital electrohydraulics  
**FS900** Operating and maintenance information for proportional valves  
**GS203** E-BM-RES digital driver  
**GS500** Programming tools  
**GS510** Fieldbus  
**K800** Electric and electronic connectors

**P005** Mounting surfaces for electrohydraulic valves  
**QB400** Quickstart for REB valves commissioning  
**QF400** Quickstart for RES valves commissioning  
**E-MAN-BM-RES** RES user manual (off-board)  
**E-MAN-RI-REB** REB user manual  
**E-MAN-RI-RES** RES user manual