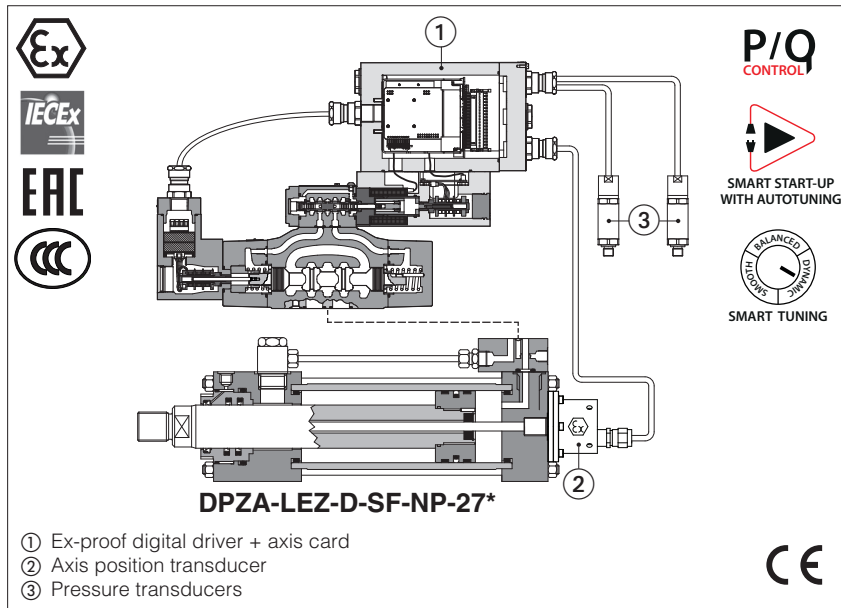


Ex-proof digital servoproportionals with on-board axis card

piloted, single solenoid, with two LVDT transducers, zero spool overlap - **ATEX, IECEx, EAC, CCC**



DPZA-LEZ

Ex-proof digital servoproportional directional valves, piloted, single solenoid, with on-board digital driver + axis card, two LVDT position transducers (pilot valve and main stage) and zero spool overlap for position closed loop controls of linear or rotative hydraulic actuator.

They are certified for safe operations in hazardous environments with potentially explosive atmosphere.

- Multicertification **ATEX, IECEx, EAC, CCC** for gas group **II 2G** and dust category **II 2D**

The controlled actuator has to be equipped with position transducer (analog, potentiometer, SSI or Encoder) to read the axis position feedback.

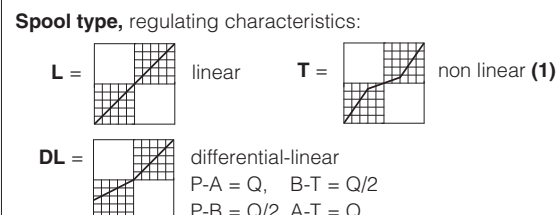
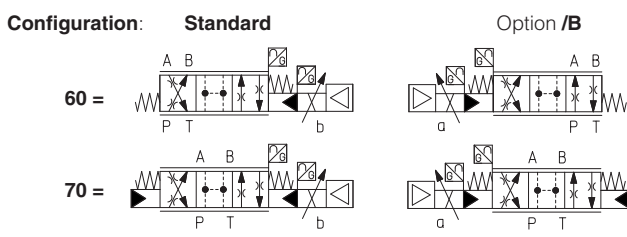
Optional alternated P/Q control add the force limitation to position regulation, requiring pressure or force transducers installation.

Smart Start-up procedure makes the commissioning quicker and easier, thanks to the Autotuning and Smart Tuning functionalities. Multiple PID sets allows to easily switch axis behaviour according to machine cycle.

Size: **10 ÷ 27** ISO 4401
 Max flow: **180 ÷ 800** l/min
 Max pressure: **350** bar

1 MODEL CODE

DPZA	-	LEZ	-	D	-	SN	-	NP	-	2	70	-	L	5	/	M	/	*	/	*	/	*
<p>Ex-proof servoproportional directional valve, piloted</p> <p>LEZ = on-board digital driver + axis card, two LVDT transducers</p> <p>Position transducer type: A = Analog (standard, potentiometer) D = Digital (SSI, Encoder)</p> <p>Alternated P/Q controls, see section 3: SN = none SF = force control (2 pressure transducers) SL = force control (1 load cell)</p> <p>Fieldbus interface, USB port always present: NP = Not Present BC = CANopen BP = PROFIBUS DP EH = EtherCAT EW = POWERLINK EI = EtherNet/IP EP = PROFINET RT/IRT</p> <p>Valve size ISO 4401: 1 = 10 2 = 16 4 = 25 4M = 27</p>																						
<p>Seals material, see section 13: - = NBR PE = FKM BT = NBR low temp.</p> <p>Hydraulic options (2): B = solenoid at side of port A D = internal drain E = external pilot pressure G = pressure reducing valve for piloting (standard for size 10)</p> <p>Electronic options (2): C = current feedback for analog position and pressure transducer 4÷20mA I = current reference input and monitor 4÷20mA</p> <p>Cable entrance threaded connection: M = M20x1,5</p>																						
<p>Spool size: 3 (L) 5 (L,DL) 5 (T)</p> <p>DPZA-1 = - 100 -</p> <p>DPZA-2 = 130 200 150</p> <p>DPZA-4 = - 340 -</p> <p>DPZA-4M = - 390 -</p> <p>Nominal flow (l/min) at Δp 10bar P-T</p>																						



(1) Only for configuration 70
 (2) For possible combined options consult Atos technical office

2 POSITION CONTROL

2.1 External reference signal

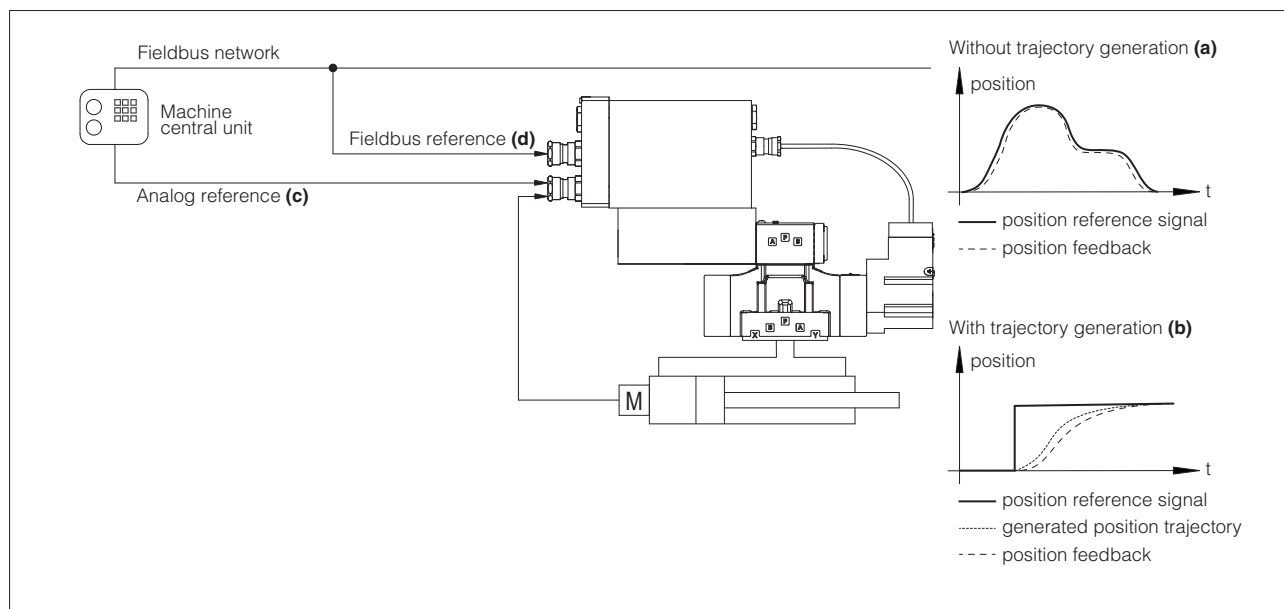
Axis card controls in closed loop the actuator position according to a position reference signal from the machine central unit.

Position profile can be managed in two ways (software selectable):

- Without trajectory generation **(a)**: the axis card receives from the machine central unit the position reference signal and follows it at any given instant
- With trajectory generation **(b)**: the axis card receives from the machine central unit just the final target position and internally generates a position profile limiting acceleration, velocity and deceleration

The position reference signal can be software selected between Analog reference **(c)** and Fieldbus reference **(d)**.

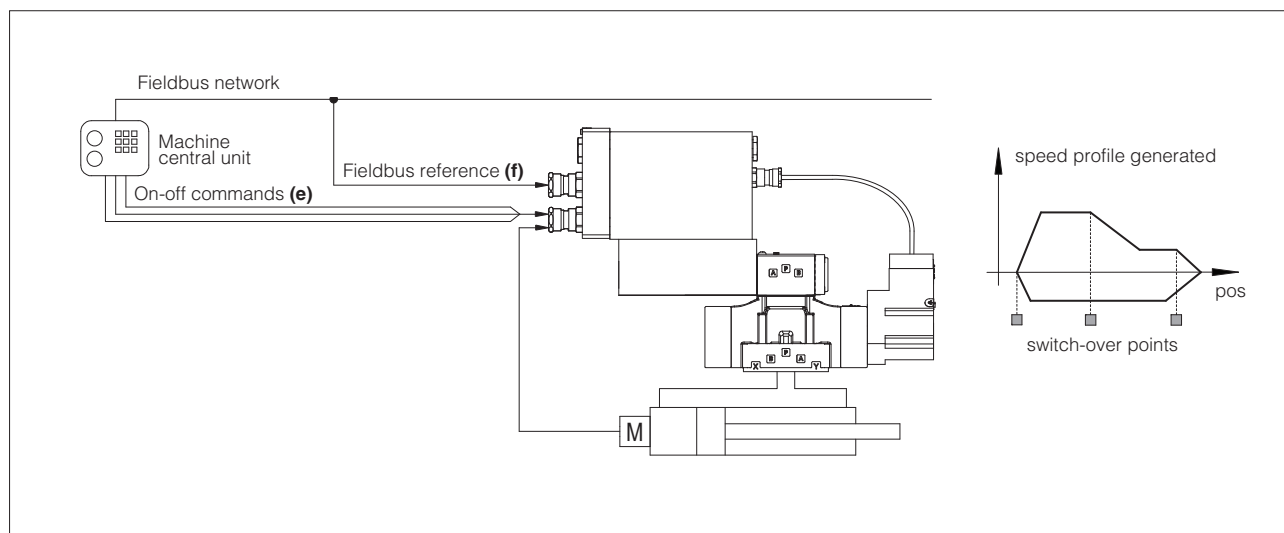
Refer to the axis card user manual for further details on position control features.



2.2 Automatic cycle

Axis card controls in closed loop the actuator position according to an internally generated automatic cycle: only start, stop and switch-over commands are required from the machine electronic central unit by means On-off commands **(e)** or Fieldbus commands **(f)**.

Atos PC software allows to realize an automatic cycle according to the application requirements. Refer to the axis card user manual for further details on automatic cycle features.



3 ALTERNATED POSITION / FORCE CONTROL

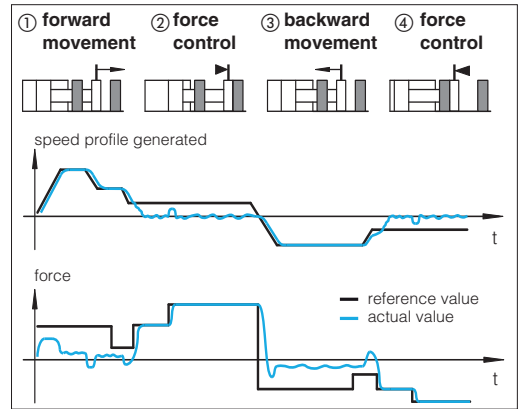
SF and **SL** controls add the alternated force closed loop control to the actuator standard position control. Pressure or force remote transducers have to be installed on the actuator and interfaced to the valve, see below functional schemes.

The position/force controls are operated according to two separate reference signals and a dedicated algorithm automatically selects which control is active time by time.

The dynamics of the switching between the two controls can be regulated thanks to specific software setting, in order to avoid instability and vibrations.

Position control is active (see phase ① and ③ at side) when the actuator force is lower than the relevant reference signal - the valve controls the actuator position by closed-loop regulation.

Force control is active (see phase ② and ④ at side) when the actuator actual force, measured by remote transducers, grows up to the relevant reference signal - the axis card reduces the valve's regulation in order to limit the actuator force; if the force tends to decrease under its reference signal, the position control returns active.



Alternated control configurations

SF	SL
<p>two remote pressure transducers have to be installed on the actuator's ports; the actuator force is calculated by the pressure feedbacks ($P_a - P_b$)</p>	<p>one load cell transducer has to be installed between the actuator and the controlled load</p>

T valve spool transducer	M actuator position transducer	P pressure transducer	L load cell
---------------------------------	---------------------------------------	------------------------------	--------------------

SF – position/force control

Adds force control to standard position control and permits to limit the max force in two directions controlling in closed loop the delta pressure acting on both sides of the hydraulic actuator. Two pressure transducers have to be installed on A and B hydraulic lines.

SL – position/force control

Adds force control to standard position control and permits to limit the max force in one or two directions controlling in closed loop the force performed by the hydraulic actuator. A load cell has to be installed on the hydraulic actuator.

General Notes:

- auxiliary check valves are recommended in case of specific hydraulic configuration requirements in absence of power supply or fault
- Atos technical office is available for additional evaluations related to specific applications

4 GENERAL NOTES

Atos digital proportionals valves are CE marked according to the applicable directives (e.g. Immunity and Emission EMC Directive). Installation, wirings and start-up procedures must be performed according to the general prescriptions shown in tech table **FX900** and in the user manuals included in the Z-SW-* programming software.

5 VALVE SETTINGS AND PROGRAMMING TOOLS

WARNING: the below operation must be performed in a safety area

Valve's functional parameters and configurations, can be easily set and optimized using Atos Z-SW programming software connected via USB/Bluetooth to the axis card.
For fieldbus versions, the software permits valve's parameterization through USB/Bluetooth also if the axis card is connected to the central machine unit via fieldbus.

Z-SW-FULL support:

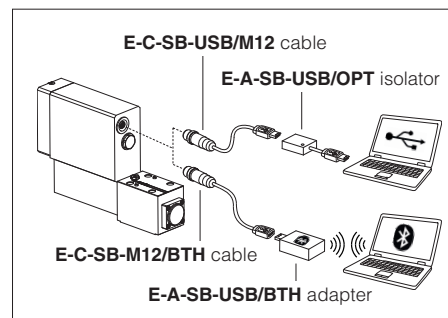
NP (USB)	PS (Serial)		
BC (CANopen)	BP (PROFIBUS DP)	EH (EtherCAT)	
EW (POWERLINK)	EI (EtherNet/IP)	EP (PROFINET)	

Note: Z-SW programming software supports valves with option SF, SL for alternated control

WARNING: axis card USB port is not isolated! For E-C-SB-USB/M12 cable, the use of isolator adapter is highly recommended for PC protection (see tech table **GS500**)

WARNING: see tech table **GS500** for the list of countries where the Bluetooth adapter has been approved

USB or Bluetooth connection



6 SMART START-UP

The automatic procedure supports the user during the commissioning phases of the axis control with guided procedures:

- **General setting**

It assists the user in system data setup, as like cylinder stroke, diameters, load mass, configure analog/digital signals and communication interface, position transducer setup.

- **System check**

It automatically executes position open loop movements to set axis control parameters, position transducer calibration and verify cylinder stroke.

- **Position autotuning**

It automatically determines the optimal PID parametrization of the position control adapting the dynamic response to guarantee control precision and axis stability. Once the procedure is started, the control performs few automatic position open loop movements of the actuator, during which control parameters are calculated and stored.

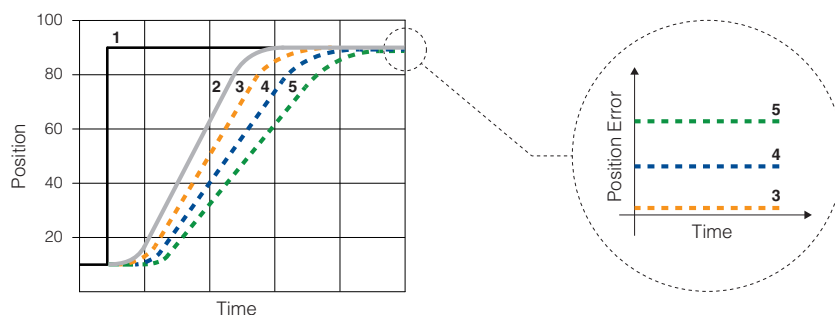
7 SMART TUNING

Once the Smart Start-up procedure has been completed, the Smart tuning feature allows to further refine the position control response by choosing from 3 different levels of performance in positioning:

- **dynamic** best dynamics and accuracy (default factory setting)
- **balanced** average dynamics and accuracy
- **smooth** attenuated dynamics and accuracy to improve control stability in critical applications or in environments with electrical disturbances

Settings can be changed any time via Z-SW software or fieldbus.

If required, control performance can be further customized by modifying PID parameter via Z-SW software.



8 MULTIPLE SETS

Multiple PID sets allows to easily switch axis behaviour according to machine cycle, selecting between independent groups of parameters for:

- **position control PID**
- **force control PID and P/Q logics switching criteria**

Settings can be changed any time via Z-SW software, fieldbus or digital input signals.

9 FIELDBUS - see tech. table **GS510**

Fieldbus allows valve direct communication with machine control unit for digital reference, valve diagnostics and settings. These executions allow to operate the valves through fieldbus or analog signals available on the terminal board.

10 GENERAL CHARACTERISTICS

Assembly position	Any position
Subplate surface finishing to ISO 4401	Acceptable roughness index: Ra ≤0,8, recommended Ra 0,4 – Flatness ratio 0,01/100
MTTFd valves according to EN ISO 13849	75 years, for further details see technical table P007
Ambient temperature range	Standard = -20°C ÷ +60°C /PE option = -20°C ÷ +60°C /BT option = -40°C ÷ +60°C
Storage temperature range	Standard = -20°C ÷ +70°C /PE option = -20°C ÷ +70°C /BT option = -40°C ÷ +70°C
Surface protection	Zinc coating with black passivation
Corrosion resistance	Salt spray test (EN ISO 9227) > 200 h
Vibration resistance	See technical table GX004
Compliance	Explosion proof protection, see section 14 -Flame proof enclosure “Ex d” -Dust ignition protection by enclosure “Ex t” CE according to EMC directive 2014/30/EU (Immunity: EN 61000-6-2; Emission: EN 61000-6-3) RoHs Directive 2011/65/EU as last update by 2015/863/EU REACH Regulation (EC) n°1907/2006

11 HYDRAULIC CHARACTERISTICS - based on mineral oil ISO VG 46 at 50 °C

Valve model	DPZA-*-1	DPZA-*-2		DPZA-*-4	DPZA-*-4M		
Pressure limits [bar]	ports P, A, B, X = 350; T = 250 (10 for option /D); Y = 10;						
Spool type	L5, DL5	L3	L5, DL5	T5	L5, DL5		
Nominal flow [l/min]							
Δp P-T	Δp = 10 bar	100	130	200	150	340	390
	Δp = 30 bar	160	220	350	260	590	670
	Max permissible flow	180	320	440	360	680	800
Δp max P-T [bar]	50	60	60	60	60	60	60
Piloting pressure [bar]	min. = 25; max = 350 (option /G advisable for pilot pressure > 200 bar)						
Piloting volume [cm³]	1,4		3,7		9,0	11,3	
Piloting flow (1) [l/min]	1,7		3,7		6,8	8	
Leakage	Pilot [cm³/min]	100/300		150/450		200/600	200/600
	Main stage [l/min]	0,4/1,2		0,6/2,5		1,0/4,0	1,0/4,0
Response time (1) [ms]	≤ 30		≤ 30		≤ 35	≤ 40	
Hysteresis	≤ 0,1 [% of max regulation]						
Repeatability	± 0,1 [% of max regulation]						

(1) 0 ÷ 100 % step signal and pilot pressure 100 bar

(2) at P = 100/350 bar


12 ELECTRICAL CHARACTERISTICS

Power supplies	Nominal : +24 VDC Rectified and filtered : $V_{RMS} = 20 \div 32 V_{MAX}$ (ripple max 10 % VPP)			
Max power consumption	35 W			
Analog input signals	Voltage: range ± 10 VDC (24 VMAX tollerant) Current: range ± 20 mA		Input impedance: $R_i > 50 \text{ k}\Omega$ Input impedance: $R_i = 500 \Omega$	
Monitor outputs	Output range: voltage ± 10 VDC @ max 5 mA current ± 20 mA @ max 500 Ω load resistance			
Enable input	Range: 0 \div 5 Vdc (OFF state), 9 \div 24 Vdc (ON state), 5 \div 9 Vdc (not accepted); Input impedance: $R_i > 10 \text{ k}\Omega$			
Fault output	Output range: 0 \div 24 Vdc (ON state > [power supply - 2 V] ; OFF state < 1 V) @ max 50 mA; external negative voltage not allowed (e.g. due to inductive loads)			
Position transducers power supply	+24 Vdc @ max 100 mA and +5 Vdc @ max 100 mA are software selectable; ± 10 Vdc @ max 14 mA minimum load resistance 700 Ω			
Pressure/Force transducer power supply (only for SF, SL)	+24VDC @ max 100 mA (E-ATRA-7 see tech table GX800)			
Alarms	Solenoid not connected/short circuit, cable break with current reference signal, over/under temperature, valve spool transducer malfunctions, alarms history storage function			
Insulation class	H (180°) Due to the occuring surface temperatures of the solenoid coils, the European standards ISO 13732-1 and EN982 must be taken into account			
Protection degree to DIN EN60529	IP66 / IP67 with mating connectors			
Duty factor	Continuous rating (ED=100%)			
Tropicalization	Tropical coating on electronics PCB			
Additional characteristics	Short circuit protection of solenoid's current supply; 3 leds for diagnostic; protection against reverse polarity of power supply			
Communication interface	USB Atos ASCII coding	CANopen EN50325-4 + DS408	PROFIBUS DP EN50170-2/IEC61158	EtherCAT, POWERLINK, EtherNet/IP, PROFINET IO RT / IRT EC 61158
Communication physical layer	not insulated USB 2.0 + USB OTG	optical insulated CAN ISO 11898	optical insulated RS485	Fast Ethernet, insulated 100 Base TX

Note: a maximum time of 800 ms (depending on communication type) have be considered between the axis card energizing with the 24 VDC power supply and when the valve is ready to operate. During this time the current to the valve coils is switched to zero.

13 SEALS AND HYDRAULIC FLUIDS - for other fluids not included in below table, consult our technical office

Seals, recommended fluid temperature	NBR seals (standard) = -20°C \div +60°C, with HFC hydraulic fluids = -20°C \div +50°C FKM seals (/PE option) = -20°C \div +80°C NBR low temp. seals (/BT option) = -40°C \div +60°C, with HFC hydraulic fluids = -20°C \div +50°C		
Recommended viscosity	20 \div 100 mm ² /s - max allowed range 15 \div 380 mm ² /s		
Max fluid contamination level	normal operation	ISO4406 class 18/16/13 NAS1638 class 7	see also filter section at
	longer life	ISO4406 class 16/14/11 NAS1638 class 5	www.atos.com or KTF catalog
Hydraulic fluid	Suitable seals type	Classification	Ref. Standard
Mineral oils	NBR, FKM, NBR low temp.	HL, HLP, HLPD, HVLP, HVLPD	DIN 51524
Flame resistant without water	FKM	HFDU, HFDR	ISO 12922
Flame resistant with water (1)	NBR, NBR low temp.	HFC	

 The ignition temperature of the hydraulic fluid must be 50°C higher than the max solenoid surface temperature

(1) Performance limitations in case of flame resistant fluids with water:

- max operating pressure = 210 bar
- max fluid temperature = 50°C

14 CERTIFICATION DATA

Valve type	DLHZA, DLKZA		
Certifications	Multicertification Group II ATEX IECEX EAC CCC		
Solenoid certified code	OZA-LEZ		
Type examination certificate (1)	<ul style="list-style-type: none"> • ATEX: TUV IT 18 ATEX 068 X • IECEX: IECEX TPS 19.0004X 	<ul style="list-style-type: none"> • EAC: RU C - IT.AЖ38.B.00425/21 • CCC: 2021322307004057 	
Method of protection	<ul style="list-style-type: none"> • ATEX Ex II 2G Ex db IIC T6/T5/T4 Gb; Ex II 2D Ex tb IIIC T85°C/T100°C/T135°C Db • IECEX Ex db IIC T6/T5/T4 Gb Ex tb IIIC T85°C/T100°C/T135°C Db 	<ul style="list-style-type: none"> • EAC 1Ex d IIC T6/T5/T4 Gb X; Ex tb IIIC T85°C/T100°C/T135°C Db X • CCC Ex d IIC T6/T5/T4 Gb; Ex tD A21 IP66/IP67 T85°C/T100°C/T135°C 	
Temperature class	T6	T5	T4
Surface temperature	≤ 85 °C	≤ 100 °C	≤ 135 °C
Ambient temperature (2)	-40 ÷ +40 °C	-40 ÷ +55 °C	-40 ÷ +70 °C
Applicable Standards	EN 60079-0: 2012+A11:2013 EN 60079-1:2014	EN 60079-31:2014	IEC 60079-0:2017 IEC 60079-1:2014
Cable entrance: threaded connection	M = M20x1,5		

(1) The type examination certificates can be downloaded from www.atos.com

(2) The driver and solenoids are certified for minimum ambient temperature -40°C.

In case the complete valve must withstand with minimum ambient temperature -40°C, select **/BT** in the model code.

⚠ WARNING: service work performed on the valve by the end users or not qualified personnel invalidates the certification

15 CABLE SPECIFICATION AND TEMPERATURE - Power supply and grounding cables have to comply with following characteristics:

Power supply and signals: section of wire = 1,0 mm²

Grounding: section of external ground wire = 4 mm²

15.1 Cable temperature

The cable must be suitable for the working temperature as specified in the "safety instructions" delivered with the first supply of the products.

Max ambient temperature [°C]	Temperature class	Max surface temperature [°C]	Min. cable temperature [°C]
40 °C	T6	85 °C	80 °C
55 °C	T5	100 °C	90 °C
70 °C	T4	135 °C	110 °C

16 CABLE GLANDS

Cable glands with threaded connections M20x1,5 for standard or armoured cables have to be ordered separately, see tech table **KX800**

Note: a Loctite sealant type 545, should be used on the cable gland entry threads

17 HYDRAULIC OPTIONS

B = Solenoid, on-board digital driver + axis card and LVDT position transducer at side of port B of the main stage.

D and E = Pilot and drain configuration can be modified as shown in section 26.

The valve's standard configuration provides internal pilot and external drain.

For different pilot / drain configuration select:

Option /D Internal drain.

Option /E External pilot (through port X).

G = Pressure reducing valve installed between pilot valve and main body with fixed setting:

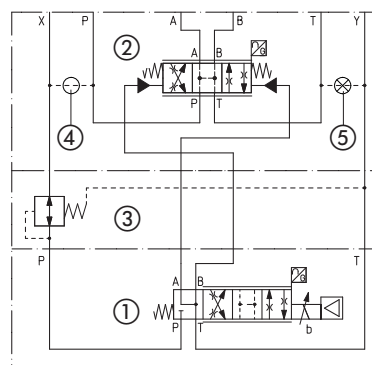
DPZA-2 = 28 bar

DPZA-2, -4 and -4M = 40 bar

It is advisable for valves with internal pilot in case of system pressure higher than 150 bar.

Pressure reducing valve is standard for DPZA-1, for other sizes add **/G** option.

FUNCTIONAL SCHEME - example of configuration 70



① Pilot valve

② Main stage

③ Pressure reducing valve

④ Plug to be added for external pilot trough port X

⑤ Plug to be removed for internal drain through port T

18 ELECTRONIC OPTIONS

I = This option provides 4 ÷ 20 mA current reference signal, instead of the standard ±10 VDC.

Input signal can be reconfigured via software selecting between voltage and current, within a maximum range of ±10 Vdc or ±20 mA.

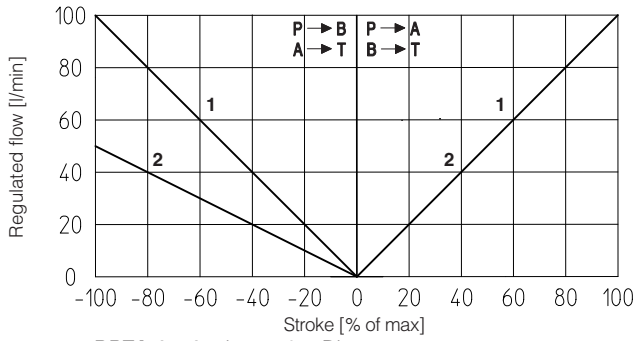
It is normally used in case of long distance between the machine control unit and the valve or where the reference signal can be affected by electrical noise; the valve functioning is disabled in case of reference signal cable breakage.

C = This option is available to connect analog position transducer and pressure/force transducers with 4 ÷ 20 mA current output signal, instead of the standard ±10 VDC.

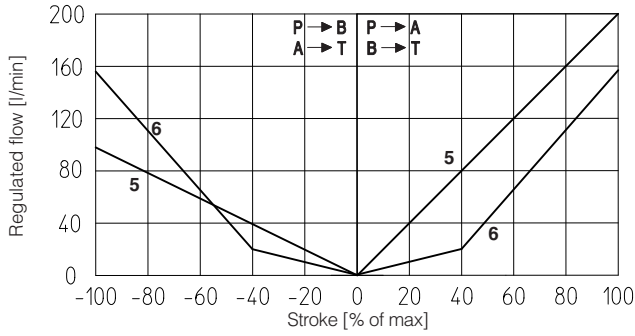
Input signal can be reconfigured via software selecting between voltage and current, within a maximum range of ±10 Vdc or ±20 mA.

19 DIAGRAMS (based on mineral oil ISO VG 46 at 50 °C)

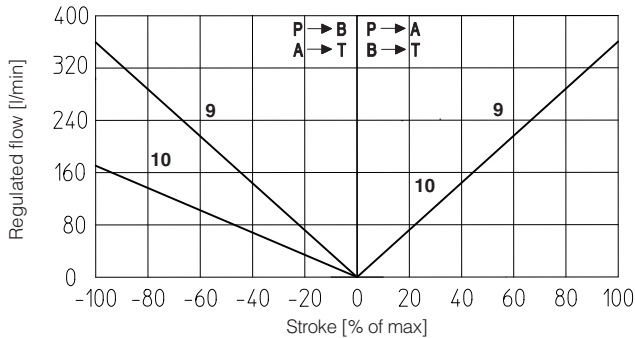
19.1 Regulation diagrams (values measure at Δp 10 bar P-T)



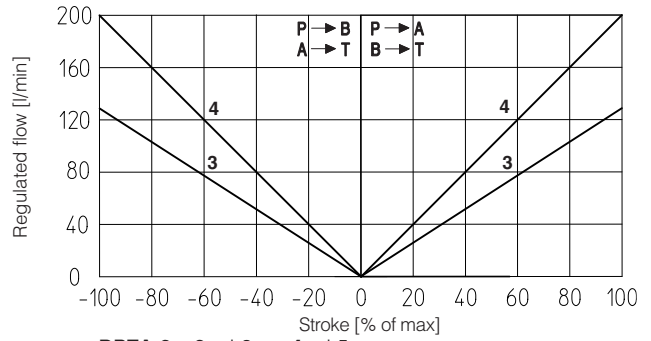
DPZA-1: 1 = L5 2 = DL5



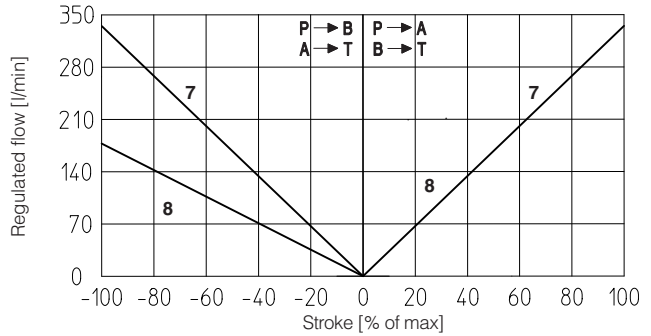
DPZA-2: 5 = DL5 6 = T5



DPZA-4M: 9 = L5 10 = DL5



DPZA-2: 3 = L3 4 = L5



DPZA-4: 7 = L5 8 = DL5

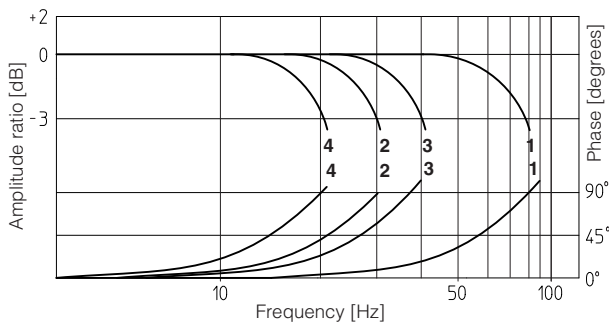
Note: Hydraulic configuration vs. reference signal for configurations 60 and 70 (standard and option /B)

Reference signal $\begin{matrix} 0 \div +10 \text{ V} \\ 12 \div 20 \text{ mA} \end{matrix} \left. \vphantom{\begin{matrix} 0 \div +10 \text{ V} \\ 12 \div 20 \text{ mA} \end{matrix}} \right\} P \rightarrow A / B \rightarrow T$

Reference signal $\begin{matrix} 0 \div -10 \text{ V} \\ 4 \div 12 \text{ mA} \end{matrix} \left. \vphantom{\begin{matrix} 0 \div -10 \text{ V} \\ 4 \div 12 \text{ mA} \end{matrix}} \right\} P \rightarrow B / A \rightarrow T$

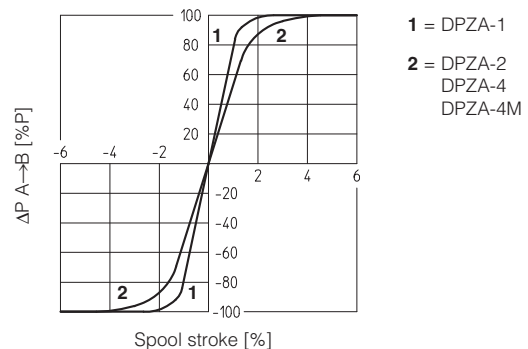
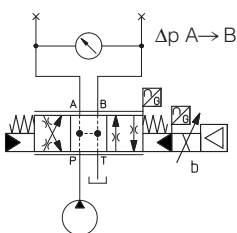
19.2 Bode diagrams

Stated at nominal hydraulic conditions.



- 1 = DPZA-1 } $\pm 5\%$ 2 = DPZA-1 } $\pm 100\%$
- DPZA-2 } $\pm 5\%$ DPZA-2 } $\pm 100\%$
- 3 = DPZA-4 } $\pm 5\%$ 4 = DPZA-4 } $\pm 100\%$
- DPZA-4M } $\pm 5\%$ DPZA-4M } $\pm 100\%$

19.3 Pressure gain




20 POWER SUPPLY AND SIGNALS SPECIFICATIONS

Generic electrical output signals of the valve (e.g. fault or monitor signals) must not be directly used to activate safety functions, like to switch-ON/OFF the machine's safety components, as prescribed by the European standards (Safety requirements of fluid technology systems and components-hydraulics, ISO 4413).

20.1 Power supply (V+ and V0)


The power supply must be appropriately stabilized or rectified and filtered: apply at least a 10000 μ F/40 V capacitance to single phase rectifiers or a 4700 μ F/40 V capacitance to three phase rectifiers.

 A safety fuse is required in series to each power supply: 2,5 A time lag fuse.

20.2 Power supply for axis card logic and communication (VL+ and VL0)

The power supply for axis card logic and communication must be appropriately stabilized or rectified and filtered: apply at least a 10000 μ F/40 V capacitance to single phase rectifiers or a 4700 μ F/40 V capacitance to three phase rectifiers.

The separate power supply for controller's logic on pin 3 and 4, allow to remove solenoid power supply from pin 1 and 2 maintaining active the diagnostics, USB and fieldbus communications.

 A safety fuse is required in series to each axis card logic and communication power supply: 500 mA fast fuse.

20.3 Position reference input signal (P_INPUT+)

Functionality of P_INPUT+ signal (pin 10), depends on axis card reference mode, see section 2:

external analog reference (see 2.1): input is used as reference for control in closed loop the actuator position.

Reference input signal is factory preset according to selected valve code, defaults are ± 10 VDC for standard and $4 \div 20$ mA for /I option.

Input signal can be reconfigured via software selecting between voltage and current, within a maximum range of ± 10 VDC or ± 20 mA.

external fieldbus reference (see 2.1) or *automatic cycle* (see 2.2): analog reference input signal can be used as on-off commands with input range $0 \div 24$ Vdc.

20.4 Force reference input signal (F_INPUT+) - only for SF, SL

Functionality of F_INPUT+ signal (pin 12), depends on selected axis card reference mode and alternated control options, see section 3:

SF, SL controls and external analog reference selected: input is used as reference for the axis card force closed loop.

Reference input signal is factory preset according to selected valve code, defaults are ± 10 VDC for standard and $4 \div 20$ mA for /I option.

Input signal can be reconfigured via software selecting between voltage and current, within a maximum range of ± 10 VDC or ± 20 mA.

SN control or fieldbus/internal reference selected: analog reference input signal can be used as on-off commands with input range $0 \div 24$ Vdc.

20.5 Position monitor output signal (P_MONITOR)

The axis card generates an analog output signal (pin 9) proportional to the actual axis position; the monitor output signal can be software set to show other signals available in the axis card (e.g. analog reference, fieldbus reference, position error, valve spool position).

Monitor output signal is factory preset according to selected valve code, defaults are ± 10 Vdc for standard and $4 \div 20$ mA for /I option.

Output signal can be reconfigured via software selecting between voltage and current, within a maximum range of ± 10 VDC or ± 20 mA.

20.6 Force monitor output signal (F_MONITOR) - only for SF, SL

The axis card generates an analog output signal (pin 11) according to alternated force control option:

SN control: output signal is proportional to the actual valve spool position

SF, SL controls: output signal is proportional to the actual force applied to the cylinder's rod end

Monitor output signals can be software set to show other signals available in the axis card (e.g. analog reference, force reference).

The output range and polarity are software selectable within the maximum range ± 10 VDC or ± 20 mA.

Monitor output signal is factory preset according to selected valve code, defaults are ± 10 Vdc for standard and $4 \div 20$ mA for /I option.

Output signal can be reconfigured via software selecting between voltage and current, within a maximum range of ± 10 VDC or ± 20 mA.

20.7 Enable input signal (ENABLE)

To enable the axis card, a 24VDC voltage has to be applied on pin 6.

When the Enable signal is set to zero the axis card can be software set to perform one of the following actions:

- maintain the actuator actual position in close loop control
- move towards a predefined position in closed loop control and maintains the reached position (hold position)
- move forward or backward in open loop (only the valve's closed loop remain active)

20.8 Fault output signal (FAULT)

Fault output signal indicates fault conditions of the axis card (solenoid short circuits/not connected, reference or transducer signal cable broken, maximum error exceeded, etc.). Fault presence corresponds to 0 VDC, normal working corresponds to 24 VDC.

Fault status is not affected by the Enable input signal.

Fault output signal can be used as digital output by software selection.

20.9 Position transducer input signal

A position transducer must be always directly connected to the axis card. Select the correct axis card execution depending on the desired transducer interface: digital SSI or Encoder (D execution), potentiometer or a generic transducer with analog interface (A execution).

Position digital input signal is factory preset to binary SSI, it can be reconfigured via software selecting between binary/gray SSI and Encoder.

Position analog input signal is factory preset according to selected valve code, defaults are ± 10 Vdc for standard and $4 \div 20$ mA for /C option.

Input signal can be reconfigured via software selecting between voltage and current, within a maximum range of ± 10 VDC or ± 20 mA.

Refer to position transducer characteristics to select the transducer type according to specific application requirements (see 21.1).

20.10 Remote pressure/force transducer input signals - only for SF, SL

Analog remote pressure transducers or load cell can be directly connected to the axis card.

Analog input signal is factory preset according to selected valve code, defaults are ± 10 Vdc for standard and $4 \div 20$ mA for /C option.

Input signal can be reconfigured via software selecting between voltage and current, within a maximum range of ± 10 VDC or ± 20 mA.

Refer to pressure/force transducer characteristics to select the transducer type according to specific application requirements (see 21.2).

21 ACTUATOR'S TRANSDUCER CHARACTERISTICS

21.1 Position transducers

The accuracy of the position control is strongly dependent to the selected position transducer. Four different transducer interfaces are available on the axis cards, depending to the system requirements: potentiometer or analog signal (A execution), SSI or Encoder (D execution). Transducers with digital interface allow high resolution and accurate measures, that combined with fieldbus communication grants highest performances. Transducers with analog interface grant simple and cost effective solutions.

21.2 Pressure/force transducers

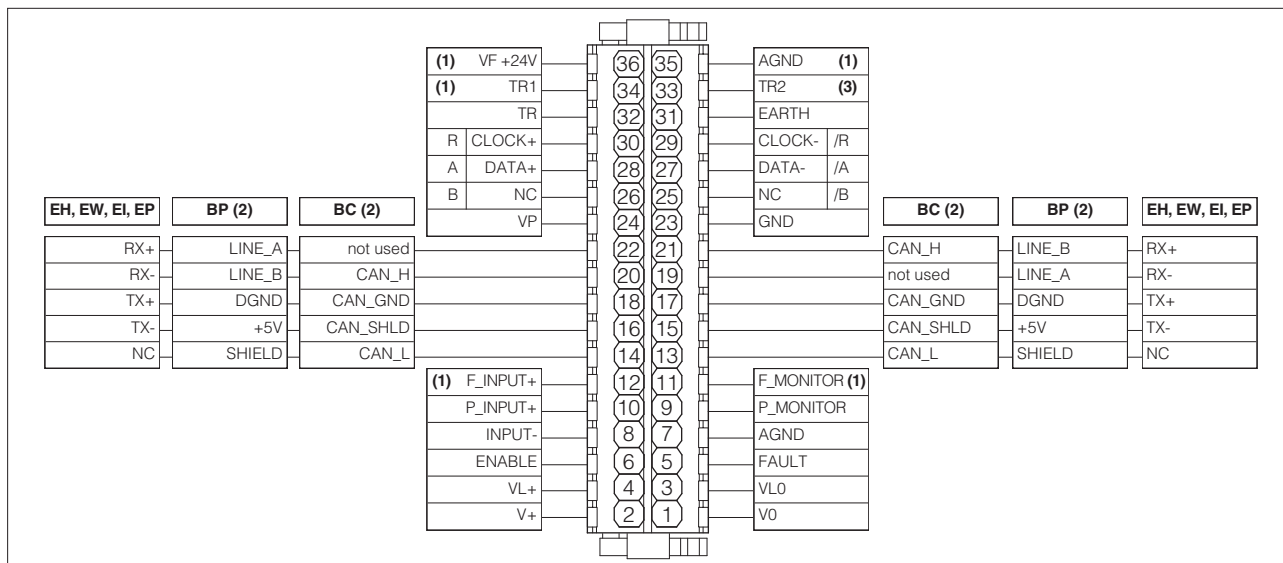
The accuracy of the pressure/force control is strongly dependent to the selected pressure/force transducer, see section 3. Alternated force controls require to install pressure transducers or load cell to measure the actual pressure/force values. Pressure transducers allow easy system integration and cost effective solution for alternated position/pressure controls (see tech table **GX800** for pressure transducers details). Load cell transducers allow the user to get high accuracy and precise regulations for alternated position/force control. The characteristics of the remote pressure/force transducers must be always selected to match the application requirements and to obtain the best performances: transducer nominal range should be at least 115%÷120% of the maximum regulated pressure/force.

21.3 Transducers characteristics & interfaces - following values are just for reference, for details please consult the transducer's datasheet

Execution	Position				Pressure/Force
	A	Analog	D	Incremental Encoder	SF, SL
Input type	Potentiometer	Analog	SSI (3)	Incremental Encoder	Analog
Power supply (1)	10 ÷ 30 Vdc	+24 Vdc	+24 Vdc	+5 Vdc / +24 Vdc	+24 Vdc
Controller Interface	0 ÷ 10 V	0 ÷ 10V 4 ÷ 20 mA	Serial SSI binary/gray	TTL 5Vpp - 150 KHz	±10 Vdc 4 ÷ 20 mA
Max speed	0,5 m/s	1 m/s	1 m/s	2 m/s	-
Max Resolution	< 0.4 % FS	< 0.2 % FS	5 µm	1 µm (@ 0.15 m/s)	< 0.4 % FS
Linearity error (2)	± 0.1% FS	< ±0.02% FS	< ± 0.02 % FS	< ± 0.001 % FS	< ±0.25% FS
Repeatability (2)	± 0.05% FS	< ± 0.005% FS	< ± 0.005 % FS	< ± 0.001 % FS	< ±0.1% FS

(1) Power supply provided by Atos axis card (2) Percentage of total stroke (3) For Balluff BTL7 with SSI interface only special code SA433 is supported

22 TERMINAL BOARD OVERVIEW



(1) Connections available only for **SF, SL**

(2) For BC and BP executions the fieldbus connections have an internal pass-through connection

(3) Connection available only for **SF**

23 ELECTRONIC CONNECTIONS

23.1 Main connections signals

CABLE ENTRANCE	PIN	SIGNAL	TECHNICAL SPECIFICATIONS	NOTES
A	1	V0	Power supply 0 Vdc	Gnd - power supply
	2	V+	Power supply 24 Vdc	Input - power supply
	3	VL0	Power supply 0 Vdc for axis card logic and communication	Gnd - power supply
	4	VL+	Power supply 24 Vdc for axis card logic and communication	Input - power supply
	5	FAULT	Fault (0 Vdc) or normal working (24 Vdc), referred to VL0	Output - on/off signal
	6	ENABLE	Enable (24 Vdc) or disable (0 Vdc) the driver, referred to VL0	Input - on/off signal
	7	AGND	Analog ground	Gnd - analog signal
	8	INPUT-	Negative reference input signal for P_INPUT+ and F_INPUT+	Input - analog signal
	9	P_MONITOR	Position monitor output signal: ± 10 Vdc / ± 20 mA maximum range, referred to AGND Defaults are: ± 10 Vdc for standard and $4 \div 20$ mA for /I option	Output - analog signal Software selectable
	10	P_INPUT+	Position reference input signal: ± 10 Vdc / ± 20 mA maximum range Defaults are: ± 10 Vdc for standard and $4 \div 20$ mA for /I option	Input - analog signal Software selectable
	11	F_MONITOR	Force (SF, SL controls) or valve spool position (SN control) monitor output signal: ± 10 Vdc / ± 20 mA maximum range, referred to AGND Defaults are: ± 10 Vdc for standard and $4 \div 20$ mA for /I option	Output - analog signal Software selectable
	12	F_INPUT+	Force reference input signal (SF, SL controls): ± 10 Vdc / ± 20 mA max. range Defaults are: ± 10 Vdc for standard and $4 \div 20$ mA for /I option	Input - analog signal Software selectable
31	EARTH	Internally connected to axis card housing		

23.2 USB connector - M12 - 5 pin always present

CABLE ENTRANCE	PIN	SIGNAL	TECHNICAL SPECIFICATIONS	Axis card view	
B	1	+5V_USB	Power supply	<p>(female)</p>	
	2	ID	Identification		
	3	GND_USB	Signal zero data line		
	4	D-	Data line -		
	5	D+	Data line +		

23.3 BC fieldbus execution connections

CABLE ENTRANCE	PIN	SIGNAL	TECHNICAL SPECIFICATIONS
C1	14	CAN_L	Bus line (low)
	16	CAN_SHLD	Shield
	18	CAN_GND	Signal zero data line
	20	CAN_H	Bus line (high)
	22	not used	Pass-through connection (1)

CABLE ENTRANCE	PIN	SIGNAL	TECHNICAL SPECIFICATIONS
C2	13	CAN_L	Bus line (low)
	15	CAN_SHLD	Shield
	17	CAN_GND	Signal zero data line
	19	not used	Pass-through connection (1)
	21	CAN_H	Bus line (high)

(1) Pin 19 and 22 can be fed with external +5V supply of CAN interface

23.4 BP fieldbus execution connections

CABLE ENTRANCE	PIN	SIGNAL	TECHNICAL SPECIFICATIONS
C1	14	SHIELD	
	16	+5V	Power supply
	18	DGND	Data line and termination signal zero
	20	LINE_B	Bus line (low)
	22	LINE_A	Bus line (high)

CABLE ENTRANCE	PIN	SIGNAL	TECHNICAL SPECIFICATIONS
C2	13	SHIELD	
	15	+5V	Power supply
	17	DGND	Data line and termination signal zero
	19	LINE_A	Bus line (high)
	21	LINE_B	Bus line (low)

23.5 EH, EW, EI, EP fieldbus execution connections

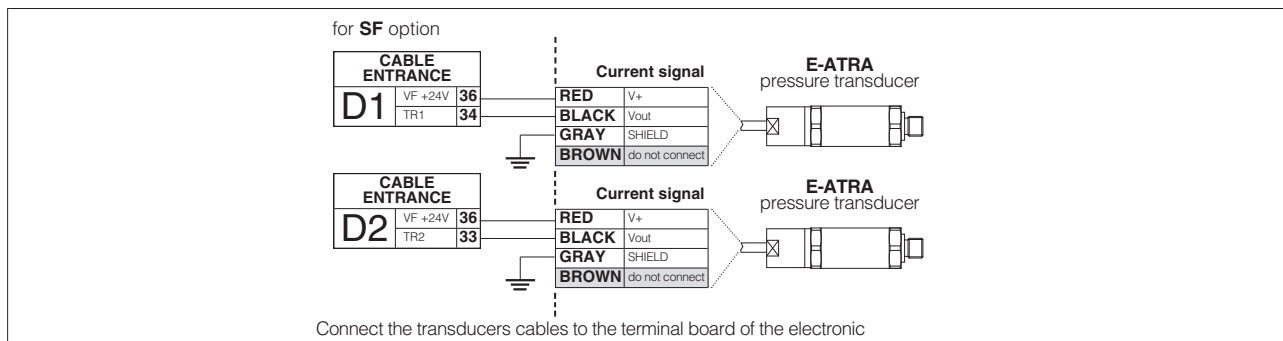
CABLE ENTRANCE	PIN	SIGNAL	TECHNICAL SPECIFICATIONS
C1 (input)	14	NC	do not connect
	16	TX-	Transmitter
	18	TX+	Transmitter
	20	RX-	Receiver
	22	RX+	Receiver

CABLE ENTRANCE	PIN	SIGNAL	TECHNICAL SPECIFICATIONS
C2 (output)	13	NC	do not connect
	15	TX-	Transmitter
	17	TX+	Transmitter
	19	RX-	Receiver
	21	RX+	Receiver

23.6 Remote pressure transducer connections - only for SF, SL

CABLE ENTRANCES	PIN	SIGNAL	TECHNICAL SPECIFICATIONS	NOTES	SL - Single transducer Voltage	SL - Single transducer Current	SF - Double transducers Voltage	SF - Double transducers Current
D1	33	TR2	2nd signal transducer ± 10 Vdc / ± 20 mA maximum range	Input - analog signal Software selectable	/	/	Connect	Connect
	34	TR1	1st signal transducer ± 10 Vdc / ± 20 mA maximum range	Input - analog signal Software selectable	Connect	Connect	Connect	Connect
D2	35	AGND	Common gnd for transducer power and signals	Common gnd	Connect	/	Connect	/
	36	VF +24V	Power supply +24Vdc	Output - power supply	Connect	Connect	Connect	Connect

E-ATRA remote pressure transducer connection - see tech table GX800

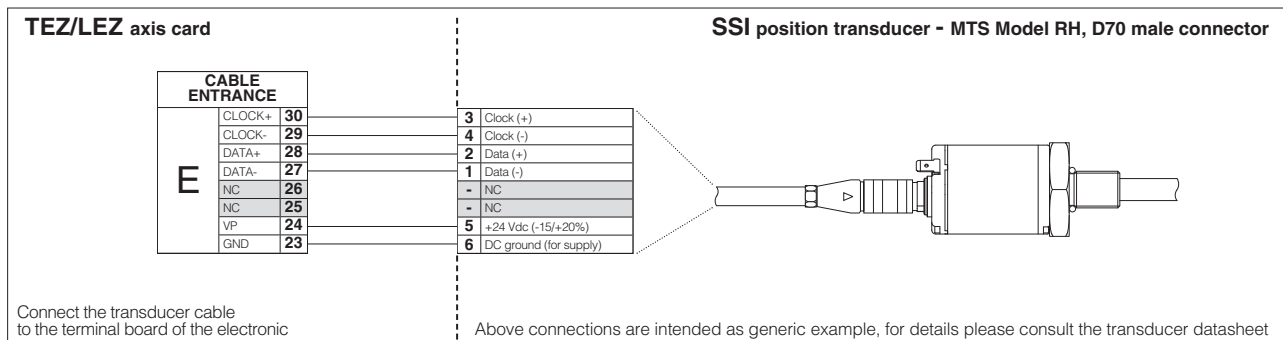


23.7 D execution - Digital position transducers connections

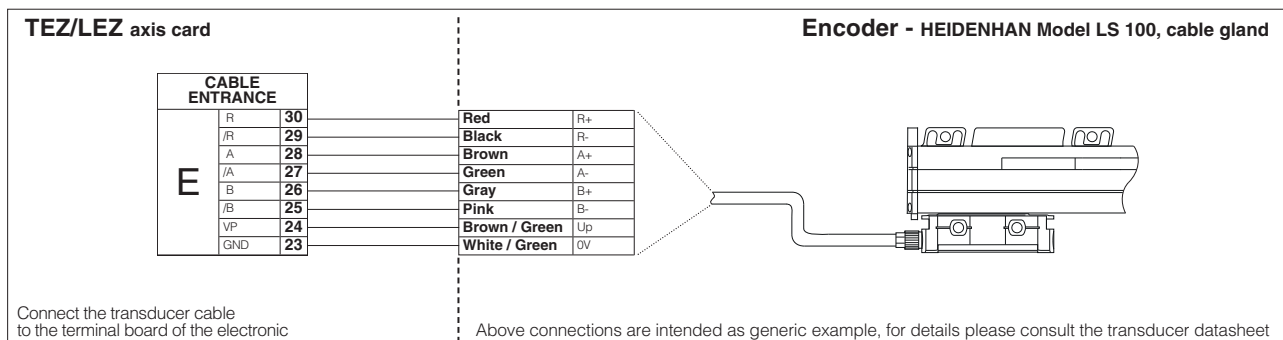
CABLE ENTRANCE	PIN	SSI - default transducer (1)			Encoder (1)		
		SIGNAL	TECHNICAL SPECIFICATION	NOTES	SIGNAL	TECHNICAL SPECIFICATION	NOTES
E	30	CLOCK+	Serial synchronous clock (+)	Input - digital signal	R	Input channel R	Input - digital signal
	29	CLOCK-	Serial synchronous clock (-)		/R	Input channel /R	
	28	DATA+	Serial position data (+)		A	Input channel A	
	27	DATA-	Serial position data (-)		/A	Input channel /A	
	26	NC	Not connect	Do not connect	B	Input channel B	
	25	NC			/B	Input channel /B	
	24	VP	Power supply: +24Vdc, +5Vdc or OFF (default OFF)	Output - power supply Software selectable	VP	Power supply: +24Vdc, +5Vdc or OFF (default OFF)	Output - power supply Software selectable
23	GND	Common gnd for transducer power and signals	Common gnd	GND	Common gnd for transducer power and signals	Common gnd	

(1) Digital position transducer type is software selectable: Encoder or SSI, see 20.9

SSI connection - example



Encoder connection - example



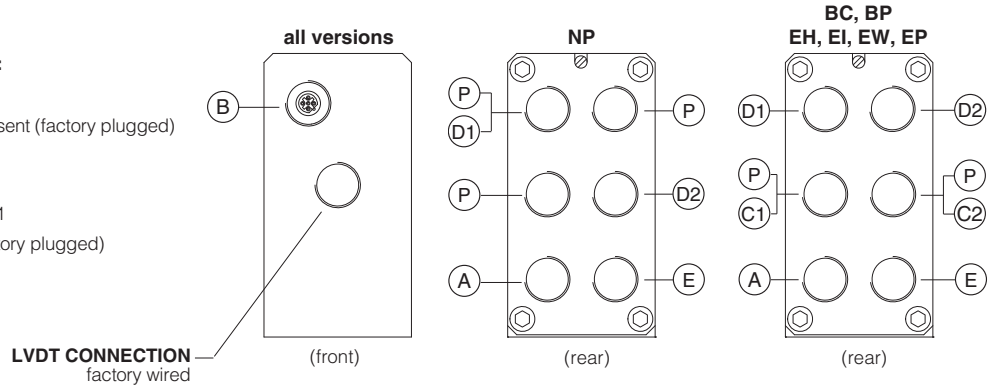
23.8 A execution - Analog position transducers connector

CABLE ENTRANCE	PIN	SIGNAL	TECHNICAL SPECIFICATION	NOTES
E	32	TR	Signal transducer	Input - analog signal
	24	VP	Power supply: +24Vdc or OFF (default OFF)	Output - power supply Software selectable
	23	GND	Common gnd for transducer power and signals	Common gnd

CABLE ENTRANCE OVERVIEW

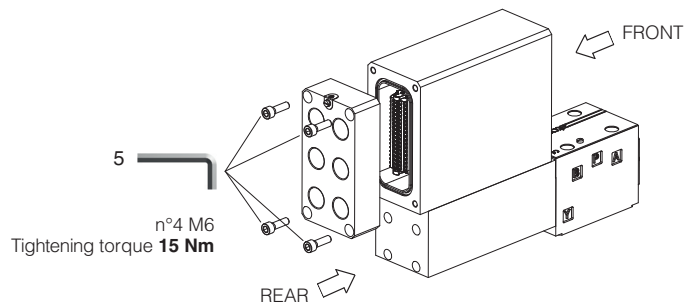
Cables entrance description:

- (A) main connections
- (B) USB connector always present (factory plugged)
- (C1) fieldbus (input)
- (C2) fieldbus (output)
- (D1) pressure/force transducer 1
- (D2) pressure transducer 2 (factory plugged)
- (E) position transducer
- (P) threaded plug



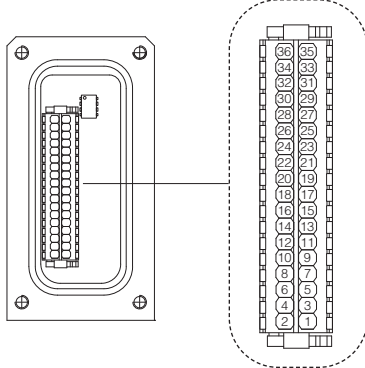
TERMINAL BOARD AND FIELDBUS TERMINATOR

Remove the 4 screws of axis card rear cover to access terminal board and fieldbus terminator

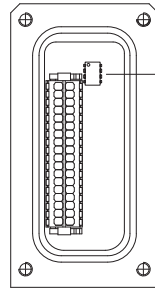


WARNING: the above operation must be performed in a safety area

Terminal board - see section 22



Fieldbus terminator only for BC and BP executions (1)



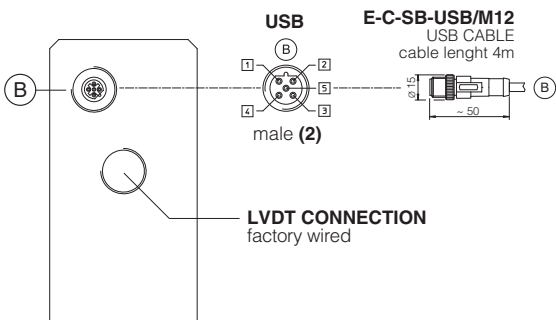
BC - CANopen setting:

Switch	Termination enabled
1	OFF
2	OFF
3	OFF
4	ON

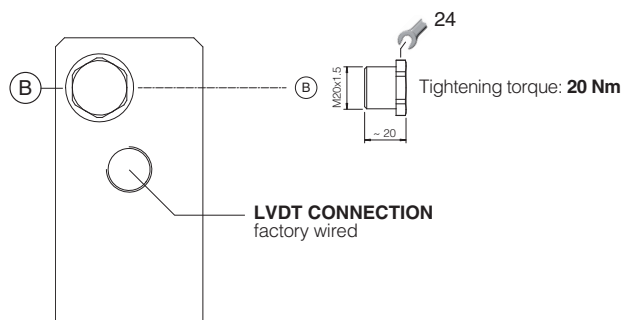
BP - PROFIBUS DP setting:

Switch	Termination enabled
1	ON
2	ON
3	ON
4	OFF

USB CONNECTOR

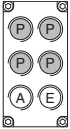
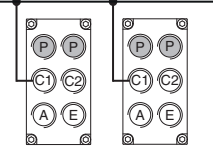
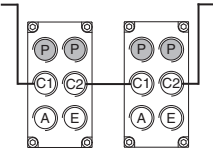


METALLIC PROTECTION CAP - supplied with the valves

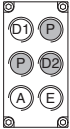
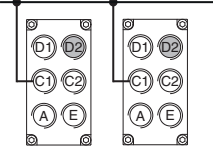
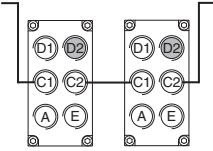


(1) On-board digital driver + axis card with BC and BP fieldbus interface are delivered by default 'Not Terminated'. All switches are set OFF
 (2) Pin layout always referred to on-board digital driver + axis card view

24.1 Cable glands and threaded plug for LEZ-SN - see tech table **KX800**

Communication interfaces	To be ordered separately				Cable entrance overview	Notes
	Cable gland quantity	entrance	Threaded plug quantity	entrance		
NP	2	A - E	none	none		Cable entrance A, E are open for costumers Cable entrance P are factory plugged
BC, BP, EH, EW, EI, EP "via stub" connection	3	C1 A - E	1	C2		Cable entrance A, E, C1, C2 are open for costumers Cable entrance P are factory plugged
BC, BP, EH, EW, EI, EP "daisy chain" connection	4	C1 - C2 A - E	none	none		Cable entrance A, E, C1, C2 are open for costumers Cable entrance P are factory plugged

24.2 Cable glands and threaded plug for LEZ-SF, SL - see tech table **KX800**

Communication interfaces	To be ordered separately				Cable entrance overview	Notes
	Cable gland quantity	entrance	Threaded plug quantity	entrance		
NP	4 (SF) 3 (SL)	D1 D2 A - E	none	none		Cable entrance A, E, D1 are open for costumers Cable entrance P, D2 are factory plugged (1)
BC, BP, EH, EW, EI, EP "via stub" connection	5 (SF) 4 (SL)	D1 - D2 C1 A - E	1	C2		Cable entrance A, E, C1, C2, D1 are open for costumers Cable entrance D2 is factory plugged (1)
BC, BP, EH, EW, EI, EP "daisy chain" connection	6 (SF) 5 (SL)	D1 - D2 C1 - C2 A - E	none	none		Cable entrance A, E, C1, C2, D1, D2 are open for costumers Cable entrance D2 is factory plugged (1)

(1) Remove plug D2 for second transducer connection of SF version

25 MAIN SOFTWARE PARAMETER SETTINGS

For a detailed descriptions of the available settings, wirings and installation procedures, please refer to the user manuals included in the Z-SW programming software:

Z-MAN-RA-LEZ - user manual for **TEZ** and **LEZ** with **SN**

Z-MAN-RA-LEZ-S - user manual for **TEZ** and **LEZ** with **SF, SL**

25.1 External reference and transducer parameters

Allow to configure the axis card reference and transducer inputs, analog or digital, to match the specific application requirements:

- *Scaling parameters* define the correspondence of these signals with the specific actuator stroke or force to be controlled
- *Limit parameters* define maximum/minimum stroke and force to detect possible alarm conditions
- *Homing parameters* define the startup procedure to initialize incremental transducer (e.g. Encoder)

25.2 PID control dynamics parameters

Allow to optimize and adapt the axis card closed loop to the wide range of hydraulic system characteristics:

- *PID parameters* each part of the closed loop algorithm (proportional, integral, derivative, feed forward, fine positioning, etc) can be modified to match the application requirements

25.3 Monitoring parameters

Allow to configure the axis card monitoring function of the positioning error (difference between actual reference and feedback) and detects anomalous conditions:

- *Monitoring parameters* maximum allowed errors can be set for both static and dynamic positioning phases, and dedicated waiting times can be set to delay the activation of the alarm condition and relevant reaction (see 25.4)

25.4 Fault parameters

Allow to configure how the axis card detects and reacts to alarm conditions:

- *Diagnostics parameters* define different conditions, threshold and delay time to detect alarm conditions
- *Reaction parameters* define different actions to be performed in case of alarm presence (stop at actual or preprogrammed position, emergency forward/backward, axis card disabling, etc.)

25.5 Valve characteristics compensation

Allow to modify the valve regulation to match the actuator/system characteristics and to obtain the best overall performances:

- *Valve parameters* modify the standard valve regulation by means of deadband compensation, curve linearization and differentiated gain for positive and negative regulation

25.6 Motion phases parameters

When the internal reference generation is active a pre-programmed cycle can be generated; start/stop/switch-over commands and reference generation types parameters can be set to design a customized sequence of motion phases adapted to the specific application requirements (see 2.2).

26 PLUGS LOCATION FOR PILOT/DRAIN CHANNELS

Depending on the position of internal plugs, different pilot/drain configurations can be obtained as shown below.
 To modify the pilot/drain configuration, proper plugs must only be interchanged. The plugs have to be sealed using loctite 270.
 Standard valves configuration provides internal pilot and external drain

DPZA-1	Pilot channels	Drain channels	<p>Internal piloting: blinded plug SP-X300F ① in X; External piloting: blinded plug SP-X300F ② in Pp; Internal drain: blinded plug SP-X300F ③ in Y; External drain: blinded plug SP-X300F ④ in Dr.</p>
DPZA-2	Pilot channels	Drain channels	<p>Internal piloting: Without blinded plug SP-X300F ①; External piloting: Add blinded plug SP-X300F ①; Internal drain: Without blinded plug SP-X300F ②; External drain: Add blinded plug SP-X300F ②.</p>
DPZA-4	Pilot channels	Drain channels	<p>Internal piloting: Without blinded plug SP-X500F ①; External piloting: Add blinded plug SP-X500F ①; Internal drain: Without blinded plug SP-X300F ②; External drain: Add blinded plug SP-X300F ②.</p>

27 FASTENING BOLTS AND SEALS

Type	Size	Fastening bolts	Seals
DPZA	1 = 10	4 socket head screws M6x40 class 12.9 Tightening torque = 15 Nm	5 OR 2050; Diameter of ports A, B, P, T: Ø 11 mm (max) 2 OR 108 Diameter of ports X, Y: Ø = 5 mm (max)
	2 = 16	4 socket head screws M10x50 class 12.9 Tightening torque = 70 Nm 2 socket head screws M6x45 class 12.9 Tightening torque = 15 Nm	4 OR 130; Diameter of ports A, B, P, T: Ø 20 mm (max) 2 OR 2043 Diameter of ports X, Y: Ø = 7 mm (max)
	4 = 25	6 socket head screws M12x60 class 12.9 Tightening torque = 125 Nm	4 OR 4112; Diameter of ports A, B, P, T: Ø 24 mm (max) 2 OR 3056 Diameter of ports X, Y: Ø = 7 mm (max)
	4M = 27	6 socket head screws M12x60 class 12.9 Tightening torque = 125 Nm	4 OR 41301; Diameter of ports A, B, P, T: Ø 32 mm (max) 2 OR 3056 Diameter of ports X, Y: Ø = 7 mm (max)

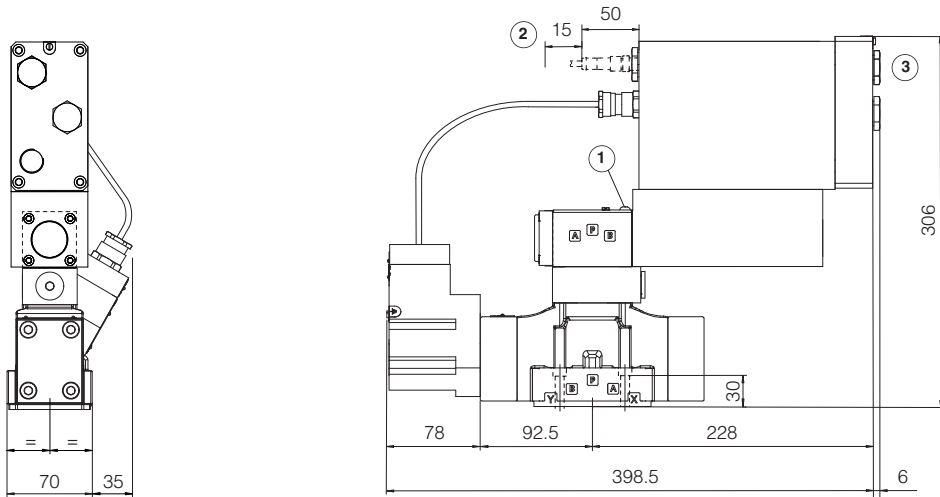
DPZA-LEZ-*-1

ISO 4401: 2005

Mounting surface: 4401-05-05-0-05

(see table P005)

Mass [kg]	
DPZA-*-17*	13,7
Option /G	+0,9



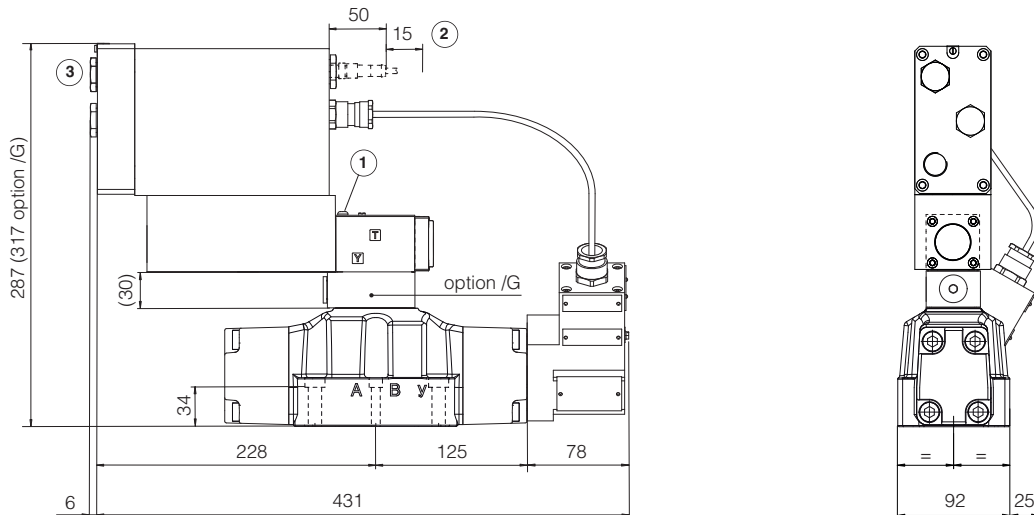
DPZA-LEZ-*-2

ISO 4401: 2005

Mounting surface: 4401-07-07-0-05

(see table P005)

Mass [kg]	
DPZA-*-27*	17,9
Option /G	+0,9



- ① = Air bleeding
- ② = Space to remove the USB connector
- ③ = The dimensions of cable glands must be considered (see tech table **KX800**)

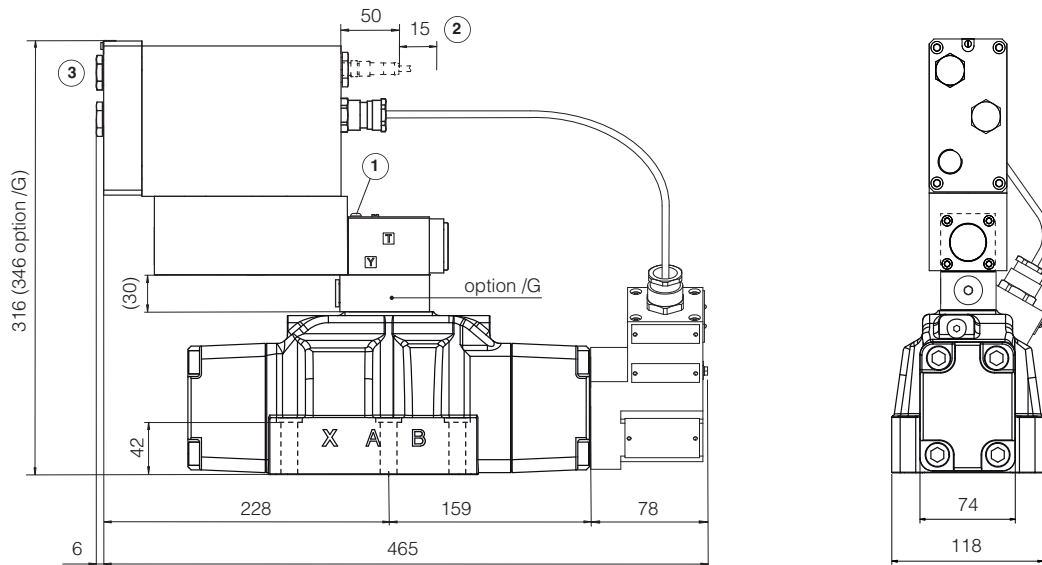
Note: for option /B the proportional solenoid, the LVDT transducer and the on-board digital driver + axis card are at side of port A (side B of pilot valve)

DPZA-LEZ-*-4 DPZA-LEZ-*-4M

ISO 4401: 2005

Mounting surface: 4401-08-08-0-05
(see table P005)

Mass [kg]	
DPZA-*-4*	23,1
DPZA-*-4M*	23,1
Option /G	+0,9



- ① = Air bleeding
- ② = Space to remove the USB connector
- ③ = The dimensions of cable glands must be considered (see tech table **KX800**)

Note: for option /B the proportional solenoid, the LVDT transducer and the on-board digital driver + axis card are at side of port A (side B of pilot valve)

29 RELATED DOCUMENTATION

X010	Basics for electrohydraulics in hazardous environments	GX800	Ex-proof pressure transducer type E-ATRA-7
X020	Summary of Atos ex-proof components certified to ATEX, IECEx, EAC, CCC, PESO	KX800	Cable glands for ex-proof valves
FX900	Operating and maintenance information for ex-proof proportional valves	P005	Mounting surfaces for electrohydraulic valves
GS500	Programming tools	Z-MAN-RA-LEZ	TEZ/LEZ user manual
GS510	Fieldbus	Z-MAN-RA-LEZ-S	TEZ/LEZ with P/Q control user manual