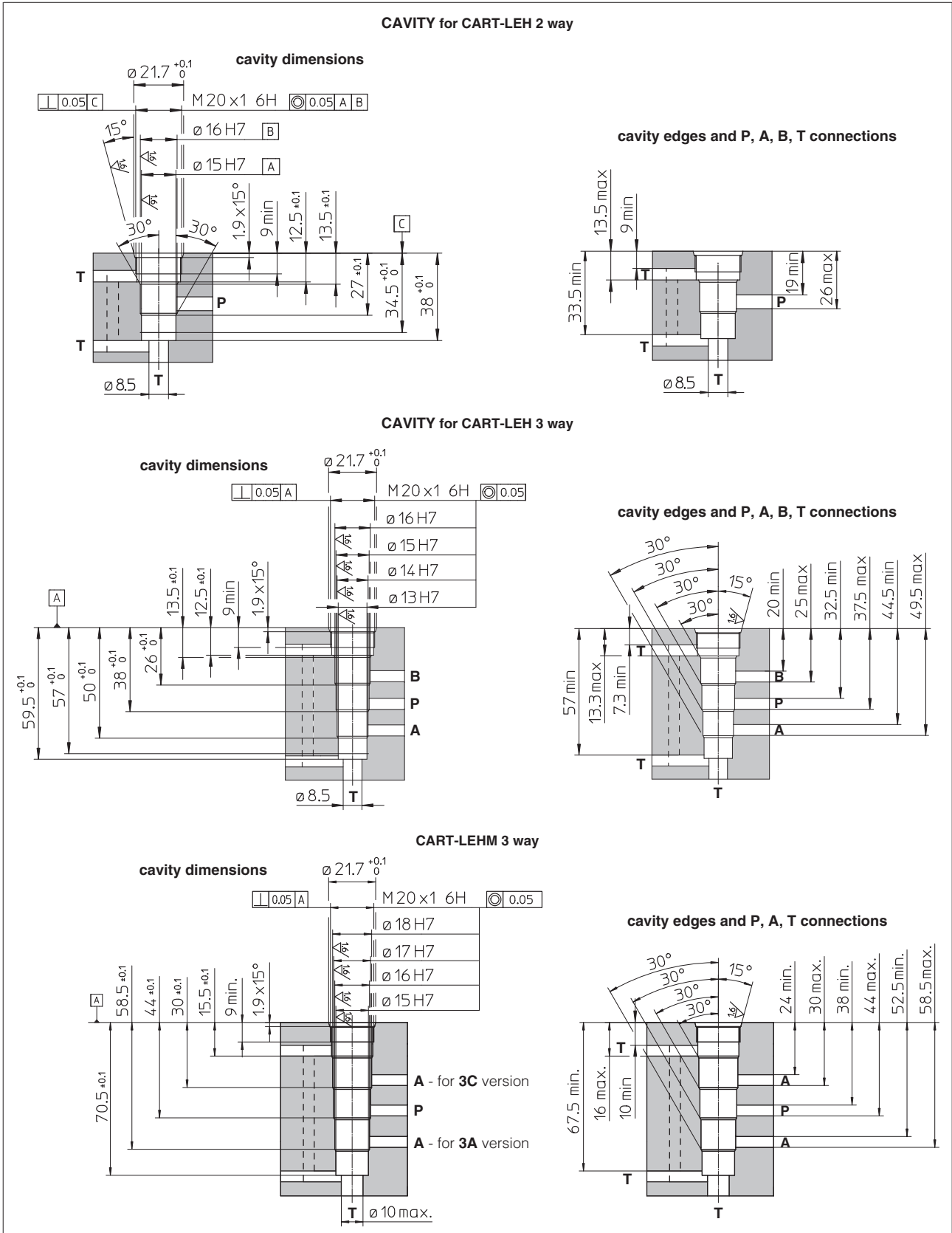


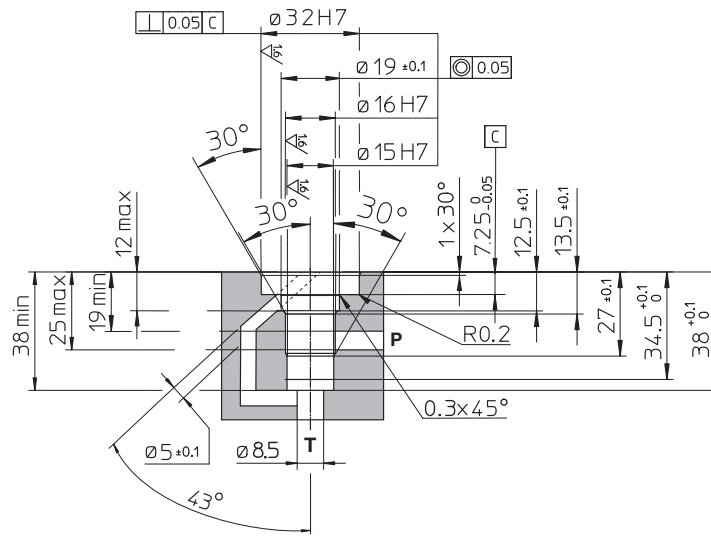
# Mounting surfaces and cavities for cartridge valves

1 CAVITIES DIMENSIONS for 2 WAY and 3 WAY CARTRIDGE VALVES type CART-LEH, CART-LEHM [mm]



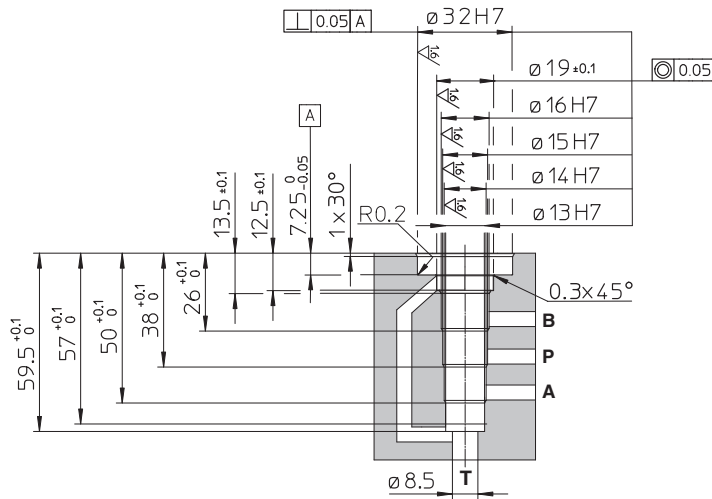
2 CAVITIES DIMENSIONS for 2 WAY and 3 WAY EX-PROOF CARTRIDGE VALVES type CART-LAH [mm]

CAVITY for CART-LAH 2 way

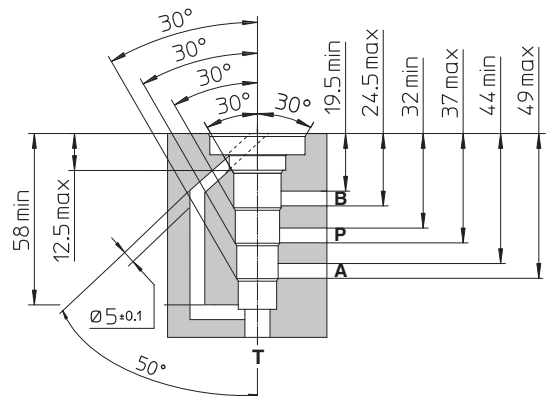


CAVITY for CART-LAH 3 way

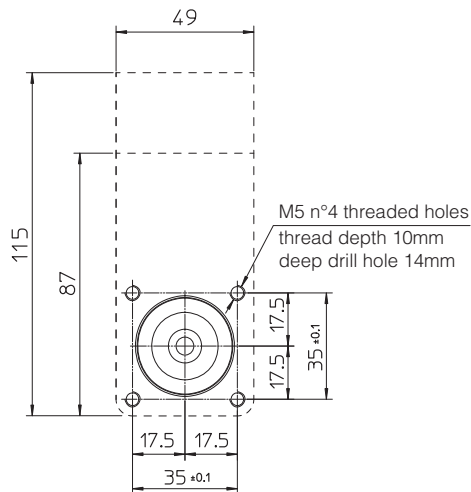
cavity dimensions



cavity edges and P, A, B, T connections



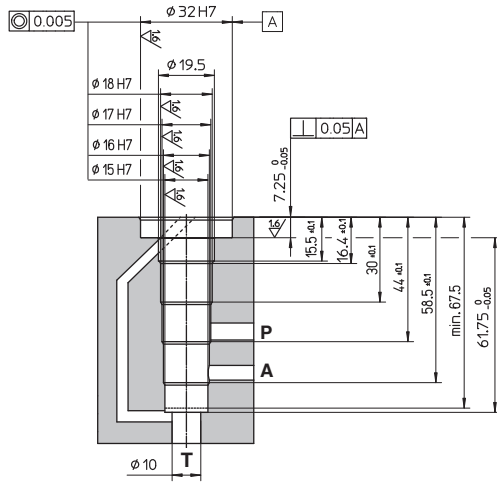
MOUNTING SURFACE for CART-LAH 2 and 3 way



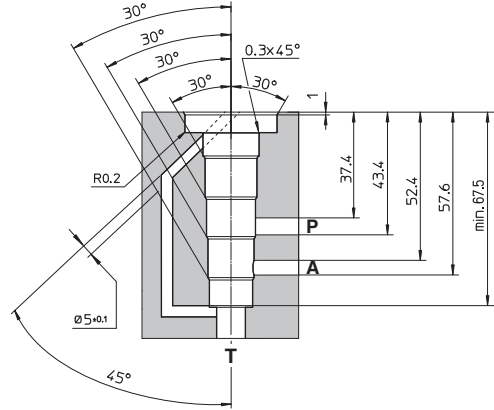
3 CAVITIES DIMENSIONS for 3 WAY EX-PROOF CARTRIDGE VALVES type CART-LAHM [mm]

CAVITY for CART-LAHM-3A

cavity dimensions

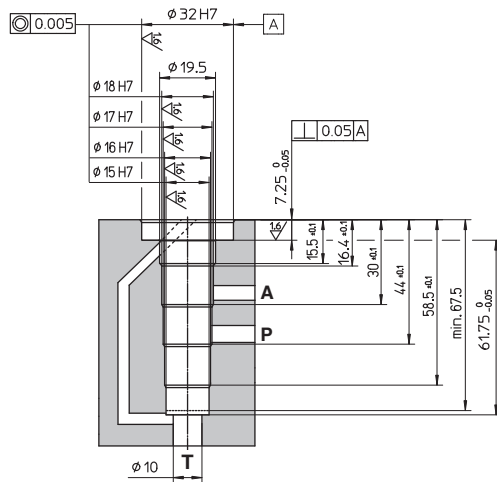


cavity edges and P, A, T connections

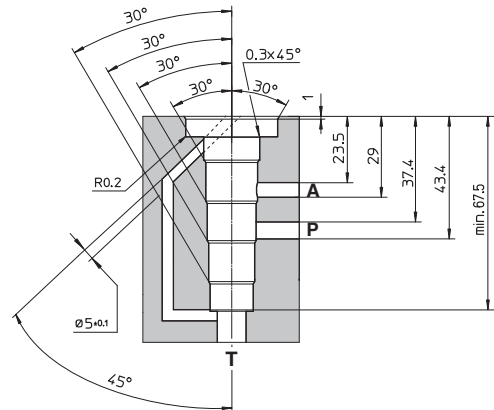


CAVITY for CART-LAHM-3C

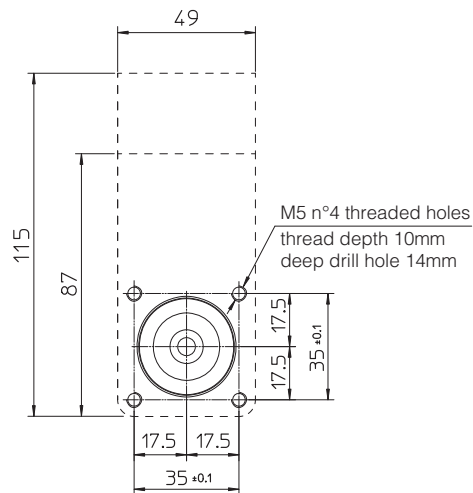
cavity dimensions



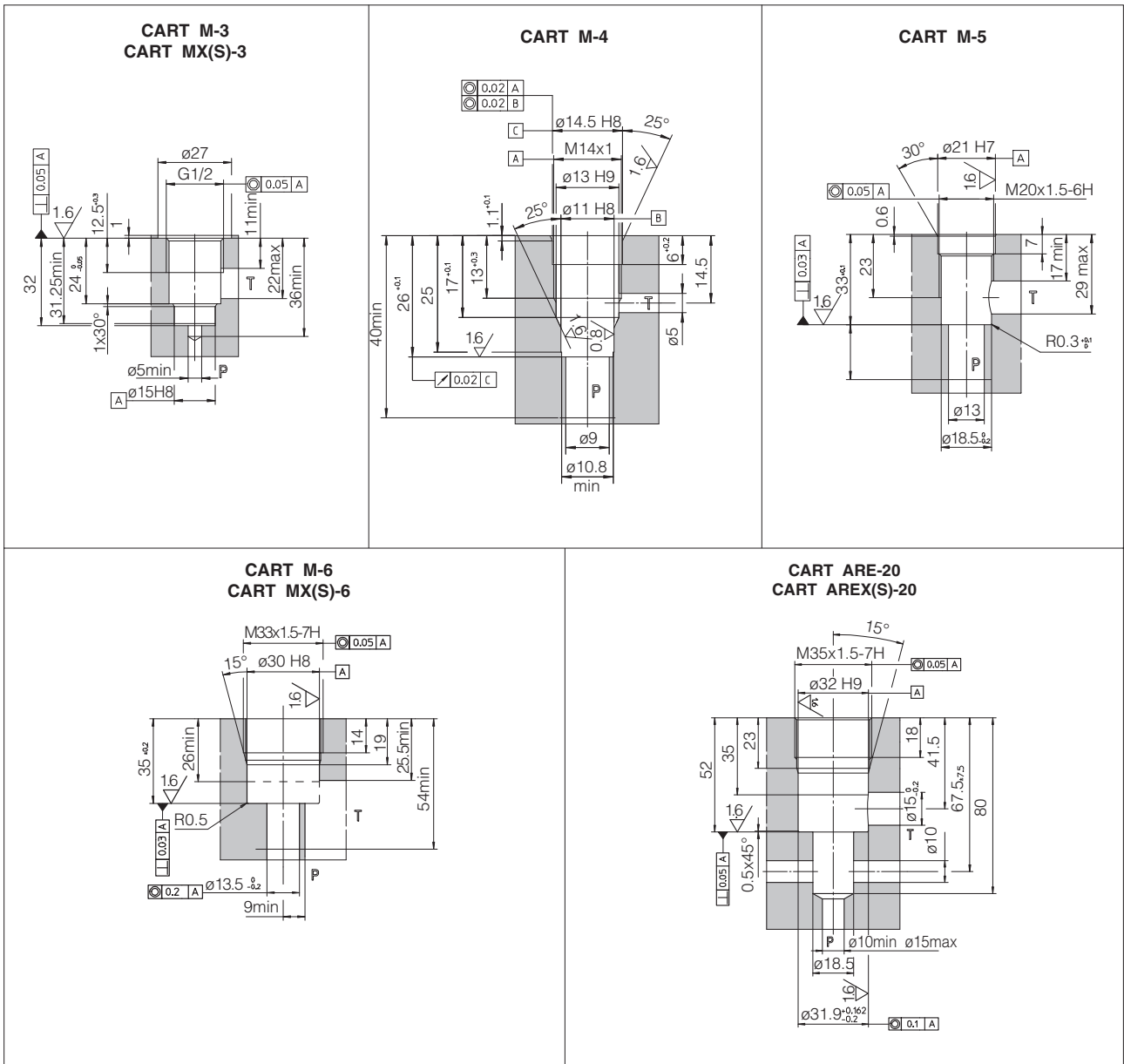
cavity edges and P, A, T connections



MOUNTING SURFACE for CART-LAHM 3 way

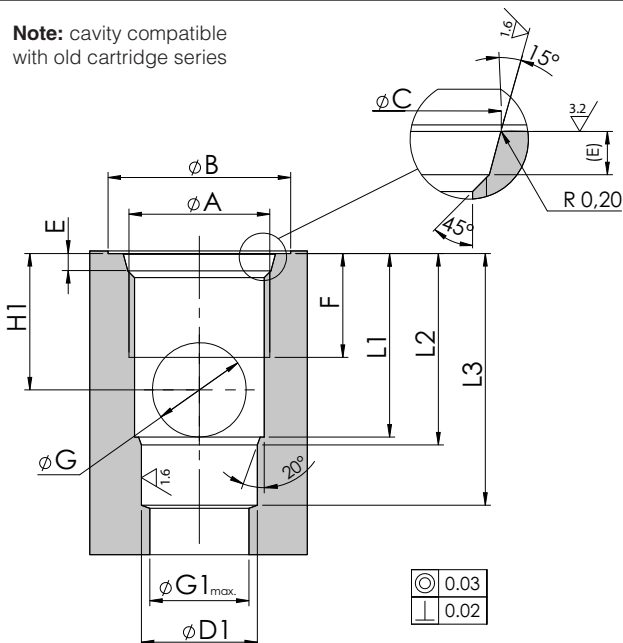


4 CAVITIES DIMENSIONS for CARTRIDGE PRESSURE RELIEF VALVES type CART [mm]

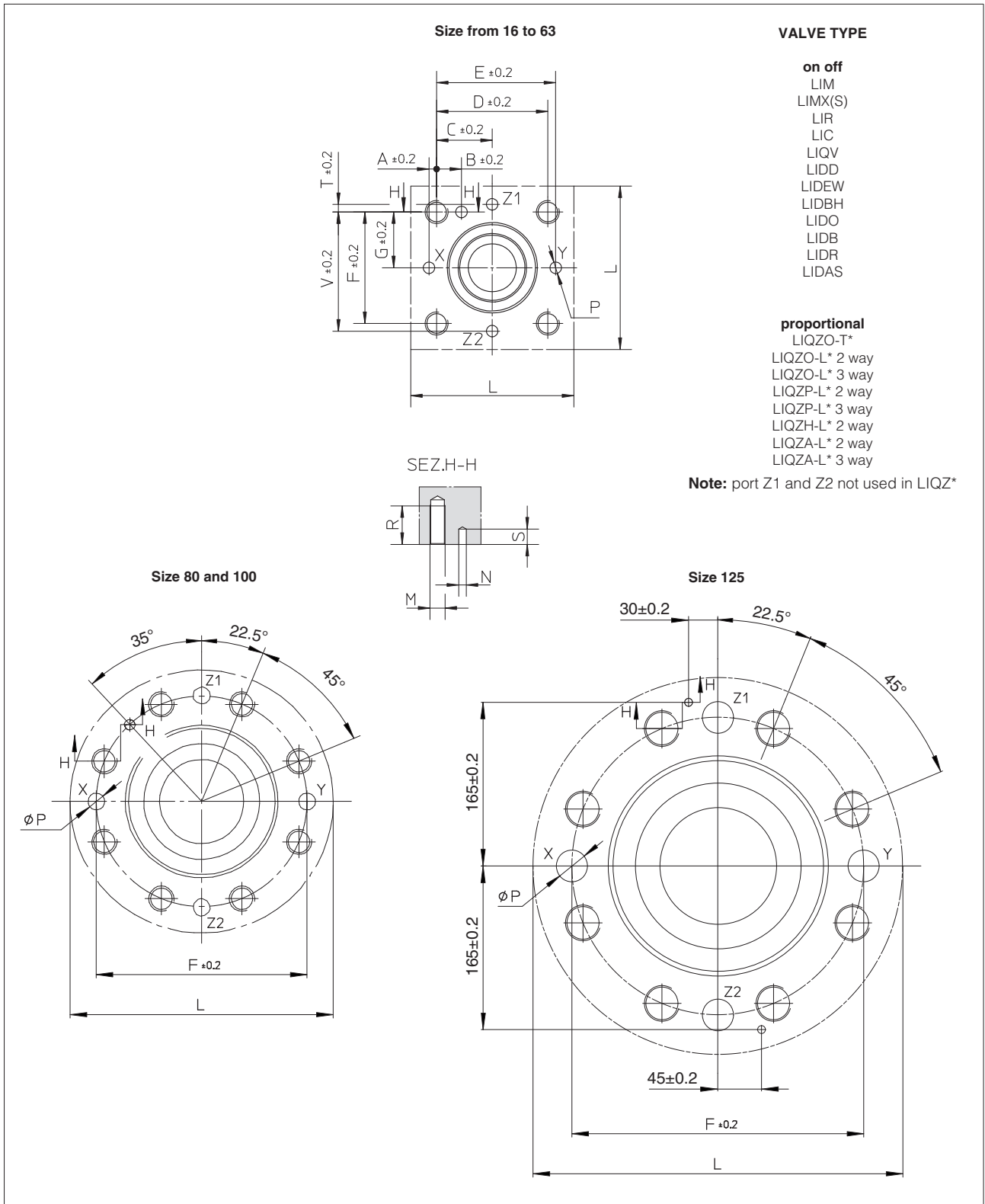


5 CAVITIES DIMENSIONS for 2 WAY SOLENOID CARTRIDGE VALVES type JO-DL [mm]

**Note:** cavity compatible with old cartridge series



	JO-DL-4-2	JO-DL-6-2	JO-DL-10-2
<b>A</b>	3/4-16 UNF	7/8-14 UNF	1 5/16-12 UNF
<b>B</b>	26	30	42
<b>C</b>	20.6 <sup>+0.1</sup> <sub>0</sub>	23.9 <sup>+0.1</sup> <sub>0</sub>	35.5 <sup>+0.1</sup> <sub>0</sub>
<b>D1</b>	12.7 <sup>+0.05</sup> <sub>0</sub>	15.87 <sup>+0.05</sup> <sub>0</sub>	28.60 <sup>+0.05</sup> <sub>0</sub>
<b>E</b>	2.6 <sup>+0.3</sup> <sub>0</sub>	2.6 <sup>+0.3</sup> <sub>0</sub>	3.3 <sup>+0.3</sup> <sub>0</sub>
<b>F</b>	13	15	20
<b>G</b>	9	12	19
<b>G1</b>	12	15	24
<b>H1</b>	14	18	25
<b>L1</b>	19.1	24.2	33.5
<b>L2</b>	20.5	25.5	36
<b>L3</b>	29	34.5	49



**VALVE TYPE**

**on off**

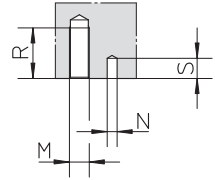
- LIM
- LIMX(S)
- LIR
- LIC
- LIQV
- LIDD
- LIDEW
- LIDBH
- LIDO
- LIDB
- LIDR
- LIDAS

**proportional**

- LIQZO-T\*
- LIQZO-L\* 2 way
- LIQZO-L\* 3 way
- LIQZP-L\* 2 way
- LIQZP-L\* 3 way
- LIQZH-L\* 2 way
- LIQZA-L\* 2 way
- LIQZA-L\* 3 way

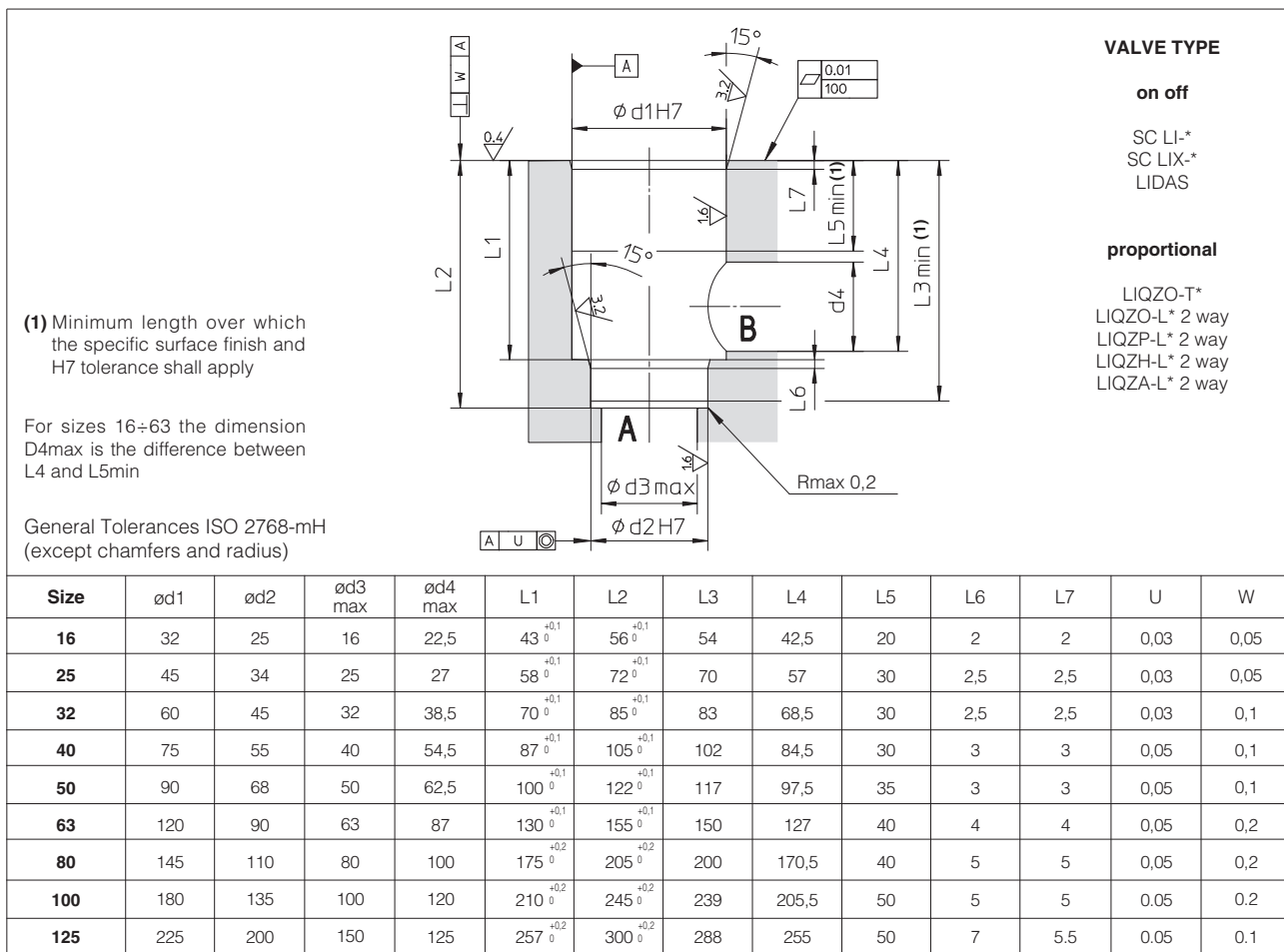
**Note:** port Z1 and Z2 not used in LIQZ\*

**SEZ.H-H**



Size	A	B	C	D	E	F	G	L min	M	Ø N	P max	R	S min	T	V
16	2	12.5	23	46	48	46	23	65	M8	4	4	20	6	2	48
25	4	13	29	58	62	58	29	85	M12	6	6	30	8	4	62
32	6	18	35	70	76	70	35	102	M16	6	8	38	8	6	76
40	7.5	19.5	42.5	85	92.5	85	42.5	125	M20	6	10	46	8	7.5	92.5
50	8	20	50	100	108	100	50	140	M20	8	10	46	8	8	108
63	12.5	24.5	62.5	125	137.5	125	62.5	180	M30	8	12	66	8	12.5	137.5
80	-	-	-	-	-	Ø200	-	Ø250	M24	10	16	50	10	-	-
100	-	-	-	-	-	Ø245	-	Ø300	M30	10	20	63	10	-	-
125	-	-	-	-	-	Ø300	-	Ø380	M36	8	32	78 (64.8 min)	10	-	-

**7 ISO 7368 CAVITIES DIMENSIONS for 2 WAY CARTRIDGE VALVES [mm]**



**8 CAVITIES DIMENSIONS for 3 WAY CARTRIDGE VALVES [mm]**

