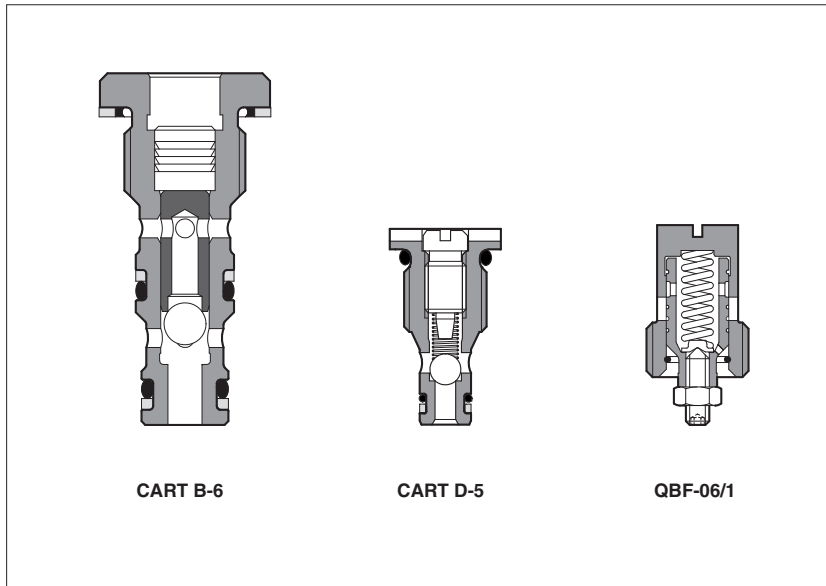


CART B*, CART D*, QBF

Shuttle valves, check valves and flow regulators for piloting lines and load sensing blocks
screw-in mounting

Available only on request



Cartridge valves for piloting lines and load sensing blocks

Applications:

CART-B* are shuttle valves which automatically select the piloting line at higher pressure and contemporary shut-off the piloting line at lower pressure. They are used for pilot pressure selection in load sensing blocks or in modular pressure compensators (see KT catalog, table D150)

CART-D* are simple check valves mainly used in load sensing blocks: D-5 model is used together with CART-B* for check function on LS line among different users.

QBF-06/1 is a pressure compensated flow control valve, screw-in execution. It is used to provide a constant flow to pilot stages of proportional valves.

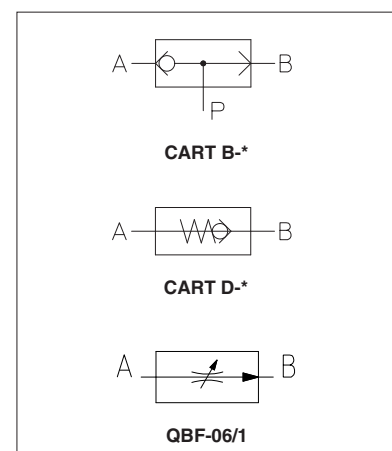
1 MODEL CODE of shuttle valves and check valves

CART	B	-	3	/*
Screw-in mounting				Seals material - = NBR PE = FKM
B = Shuttle valve D = Check valve		Size for type B : 3 = max flow 6 l/min 5 = max flow 5 l/min Size for type D : 6 = max flow 15 l/min 5 = max flow 5 l/min		

2 MODEL CODE of flow regulator

QBF	-	06	/	1	/*
Flow regulator					Seals material - = NBR PE = FKM
Size = G1/4"		Max adjustable flow rate: 1 = max flow 1,5 l/min			

3 HYDRAULIC SYMBOLS



4 HYDRAULIC CHARACTERISTICS

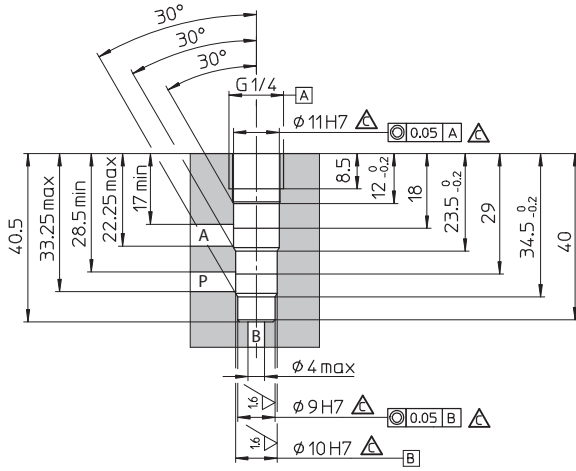
VALVE MODEL	CART B-3	CART B-5	CART B-6	CART D-5	QBF-06/1
Max pressure (bar)	350		420	350	
Max flow (l/min)	6	5	15	5	1,5
Regulated flow (l/min)	-	-	-	-	0,75 ÷ 1,5
Min regulated Δp (bar)	-	-	-	-	4

5 MAIN CHARACTERISTICS OF SHUTTLE VALVES AND FLOW REGULATORS

Assembly position	Any position	
Ambient temperature	-20°C + 70°C	
Fluid	Hydraulic oil as per DIN 51524...535; for other fluids see section I	
Recommended viscosity	15÷100 mm ² /s at 40°C (ISO VG 15÷100)	
Fluid contamination class	ISO 4401 class 21/19/16 NAS 1638 class 10 (filters at 25 μm value with β ₂₅ ≥ 75 recommended)	
Fluid temperature	-20°C +60°C (standard seals)	-20°C +80°C (/PE seals)

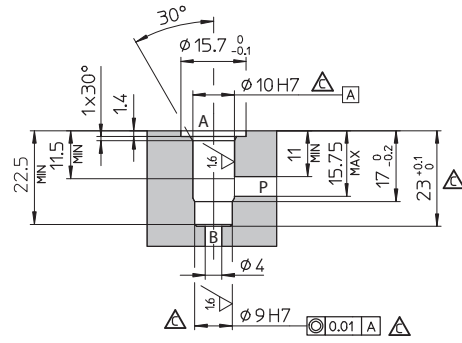
Cavity CART B-3

Cavity dimensions for mounting inside manifold with optional plug A3-DRTH-100014

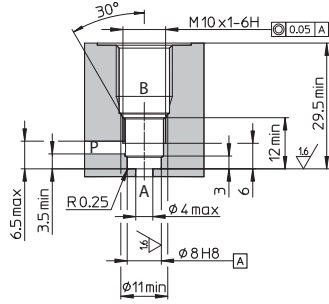


Cavity CART B-3

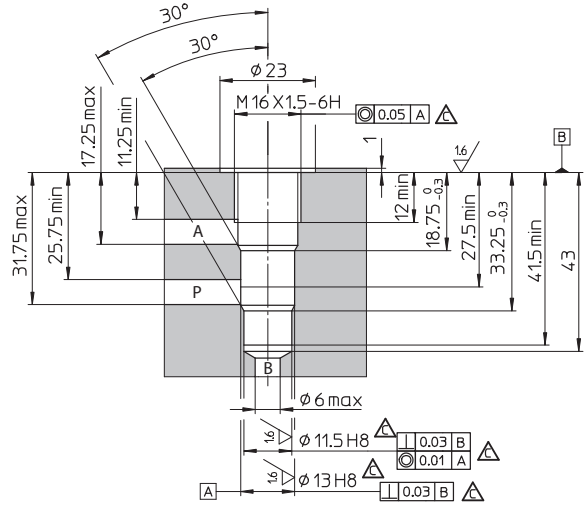
Cavity dimensions for subplate mounting



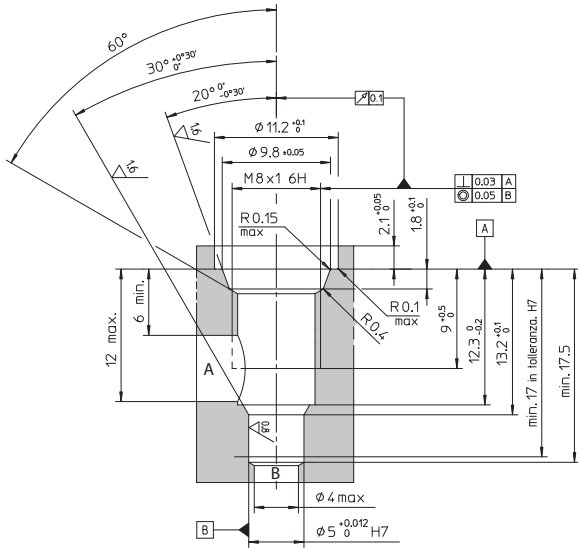
Cavity CART B-5



Cavity CART B-6

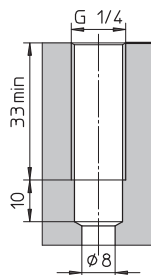


Cavity CART D-5



Distance L [mm]	l/min
0,5	1,5
1	1,4
1,5	1,2
2	1
> 2,5	0,75

Cavity QBF-06/1/*



Positioning QBF-06/1/*

