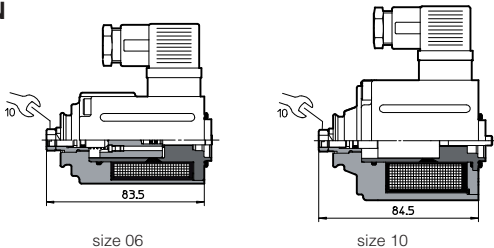
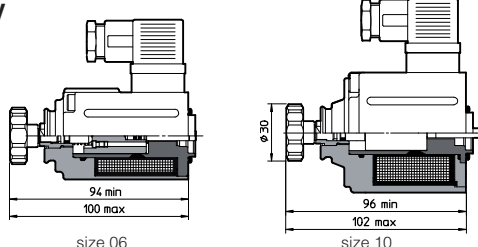


Handwheels for hydraulic controls

proportional valves

Available only on request

	OPTIONS CODES AND DIMENSIONS	FEATURES	VALVE TYPE
OPTION	<p>/N</p>  <p>size 06 size 10</p>	Manual micrometric adjustment	DHZO, DKZOR QVHZO, QVKZOR
OPTION	<p>/NV</p>  <p>size 06 size 10</p>	Manual micrometric adjustment with handwheel and graduated scale	